



TENN-TEX PLASTICS INC.

MADE IN THE USA

1-800-TENN-TEX
www.tenntex.com

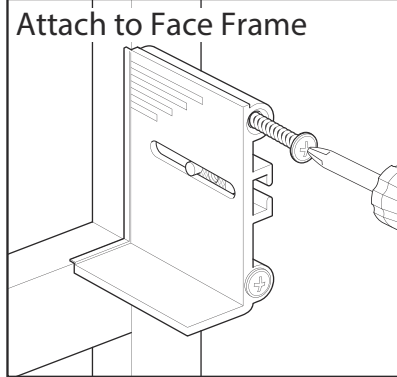
Inset BRACKETS the adjustable solution

B-393

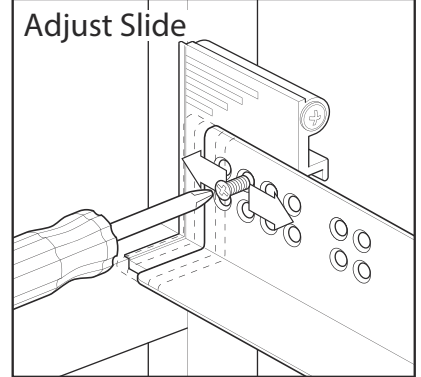
contents:

- T-350/T-350-01 Inset Bracket (1 each)
- HAR-077 Tapped Insert (2 Pre-Installed)
- HAR-079 #7x2 Washerhead Combo Type 17 Screw (4)
- HAR-080 #8-32x1/2 Machine Screw (2)

Attach to Face Frame



Adjust Slide

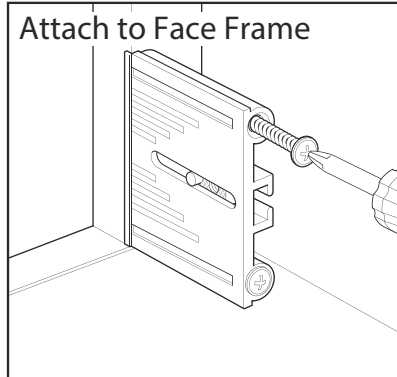


B-394

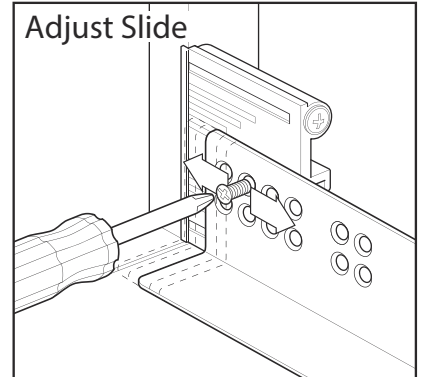
contents:

- T-349 Universal Inset Bracket (2)
- HAR-077 Tapped Insert (2 Pre-Installed)
- HAR-079 #7x2 Washerhead Combo Type 17 Screw (4)
- HAR-080 #8-32x1/2 Machine Screw (2)

Attach to Face Frame



Adjust Slide



B-427 for Undermount Drawer Slides

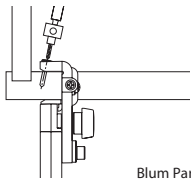
Replaces BLUM
Part # 295.7130

Contents:

- T-352-A Inset Bracket (2)
- HAR-079 #7 x 2" truss head, type 17 screw (4)
- HAR-080 #8 - 32 x 1/2" machine screw (2)
- HAR-083 #6 - 18 x 3/4" truss head, type 17 screw (4)

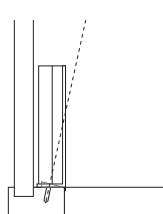
Works with all face frame inset applications (including beaded inset and flush bottom)

- Using Blum's PlateMate, pre-bore two Ø2.5 mm holes 32 mm apart and 1/2" deep

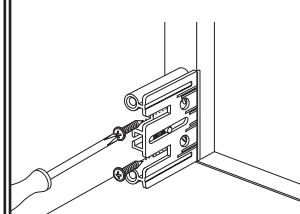


Blum Part No.
65.5030.01

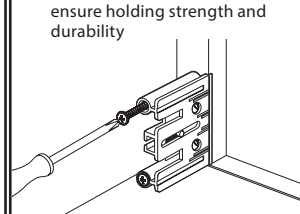
- Align the inset bracket with the pre-bored holes



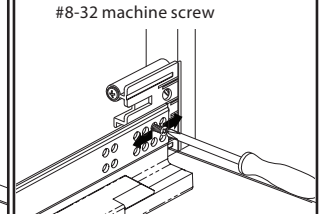
- Mount the inset bracket with two #6 x 3/4" wood screws



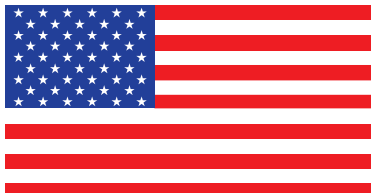
- Secure the inset bracket with two #7 x 2" wood screws to ensure holding strength and durability



- Attach and Secure the slide to the threaded insert with one #8-32 machine screw



Patent Pending



Made in USA
Patent Pending

INSTRUCTIONS

artwork may differ from bag art