

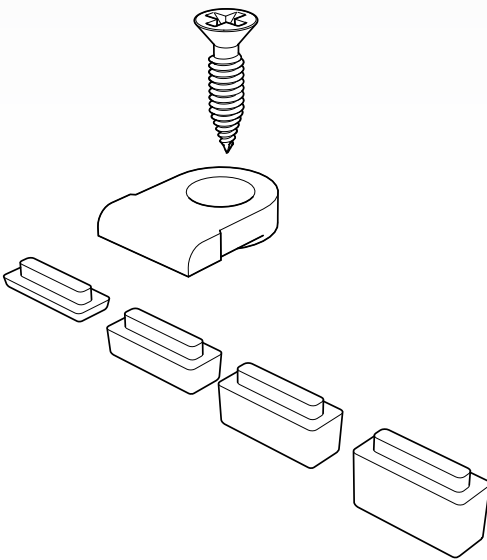


GLASS DOOR RETAINERS

VARIETY OF PARTS TO FIT YOUR SPECIFICATIONS

Kitchen Designers of today are finding new ways to feature Glass Door Applications in upper cabinets which include Etched, Stained or Smoked Glass. Recently, Communication Centers with Cork Boards or Slate Panels have been added.

Tenn-Tex Plastics has developed a Glass Door Retainer Clip Instruction Sheet that will help you easily select the correct Retainer Clip for your application. Our Glass Door Retainer Clips are also used for a Stop for Inset Cabinet Doors. For your next Glass Door Application, please call Tenn-Tex Plastics for The Simple Solution for your Glass Door Application.



All materials ©2024 TennTex Plastics • We recommend test fitting to ensure proper function • Products in this brochure are Patented or Patent Pending.

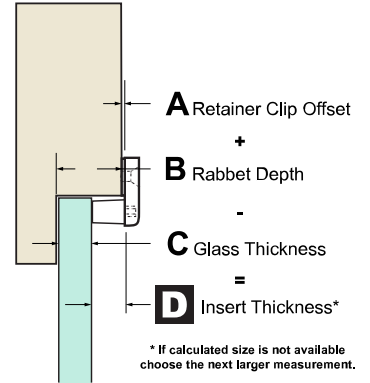


RETAINER CLIP & INSERT COMBINATIONS

Rabbit Depth

Glass Thickness	Rabbit Depth					
	0	1/16"	1/8"	1/4"	3/8"	1/2"
0.09375	T-243-01* & T-202-01	T-241-01 & T-201-01	T-230-01 & T-200-01	T-230-01 & T-209-01	T-230-01 & T-240-01	T-230-01 & T-208-01
0.125	T-243-01* & T-201-01	T-243-01* & T-209-01	T-241-01 & T-202-01	T-230-01 & T-202-01	T-230-01 & T-234-01	T-230-01 & T-208-01
0.1875	T-242-01* & T-206-01	T-243-01* & T-201-01	T-243-01* & T-209-01	T-230-01 & T-201-01	T-230-01 & T-206-01	T-230-01 & T-240-01
0.25	T-242-01* & T-209-01	T-242-01* & T-206-01	T-243-01* & T-201-01	T-241-01 & T-202-01	T-230-01 & T-200-01	T-230-01 & T-234-01

RETAINER CLIP & INSERT CALCULATION



GLASS DOOR RETAINER CLIPS



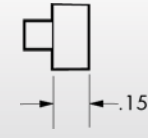
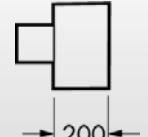
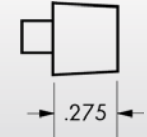
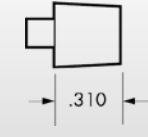
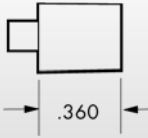
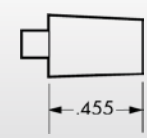
T-230-01 Retainer Clip .030 Offset Box wt 4 lbs Box qty 1,000 Colors: Clear T-230-01	T-241-01 Retainer Clip .110 Offset Box wt 5 lbs Box qty 1,000 Colors: Clear T-241-01	T-242-01* Retainer Clip .425 Offset Box wt 6 lbs Box qty 1000 Non-inventory item Special Order Only Colors: Clear T-242-01
T-229-01 Full Overlay Retainer Clip .030 Offset Box wt 6 lbs Box qty 1,000 Colors: Clear T-229-01		T-243-01* Retainer Clip .220 Offset Box wt 3 lbs Box qty 1000 Non-inventory item Special Order Only Colors: Clear T-243-01

HARDWARE

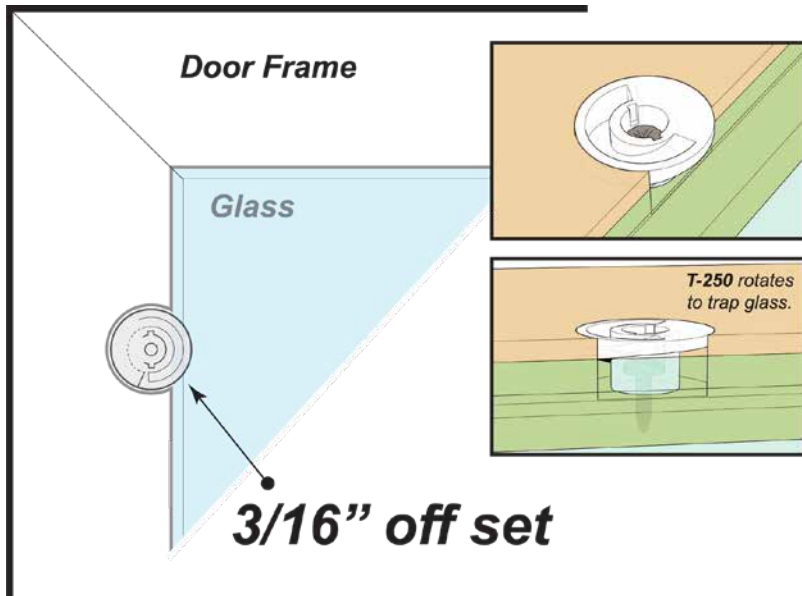
HAR-043 #6 x 1/2 Flat Head Zinc Type A Screw Box wt 4 lbs Box qty 1,000 Colors: Clear T-230-01	HAR-069 #6 x 1/2 Square Drive Type A Screw Box wt 5 lbs Box qty 1,000 Colors: Clear T-241-01
--	--

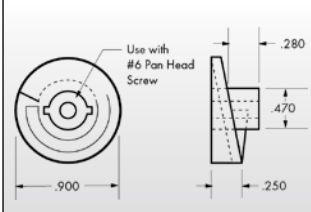
Trial applications are highly recommended. Some part numbers may have quantity restrictions or additional packaging options. Consult our website for dimensional drawings of parts. If you have questions on parts or availability, please contact Tenn-Tex Plastics before ordering.

GLASS DOOR RETAINER INSERTS

<p>T-200-01</p>  <p>Retainer Insert .065</p> <p>Box wt 3 lbs Box qty 1,000</p> <p>Colors: Clear T-200-01</p>	<p>T-201-01</p>  <p>Retainer Insert .095</p> <p>Box wt 3 lbs Box qty 1,000</p> <p>Colors: Clear T-201-01</p>	<p>T-202-01</p>  <p>Retainer Insert .157</p> <p>Box wt 3 lbs Box qty 1,000</p> <p>Colors: Clear T-202-01</p>
<p>T-209-01</p>  <p>Retainer Insert .200</p> <p>Box wt 3 lbs Box qty 1,000</p> <p>Colors: Clear T-209-01</p>	<p>T-206-01</p>  <p>Retainer Insert .275</p> <p>Box wt 3 lbs Box qty 1,000</p> <p>Colors: Clear T-206-01</p>	<p>T-234-01</p>  <p>Retainer Insert .310</p> <p>Box wt 3 lbs Box qty 1,000</p> <p>Colors: Clear T-234-01</p>
<p>T-240-01</p>  <p>Retainer Insert .360</p> <p>Box wt 3 lbs Box qty 1,000</p> <p>Colors: Clear T-240-01</p>	<p>T-208-01</p>  <p>Retainer Insert .455</p> <p>Box wt 5 lbs Box qty 1,000</p> <p>Colors: Clear T-208-01</p>	

VARIABLE ADJUSTABLE RETAINER CLIP



<p>T-250</p>  <p>Use with #6 Pan Head Screw</p> <p>Box wt 7 lbs Box qty 1,000</p> <p>Colors: Clear T-250</p>	<p>Universal Glass Door Clip</p> <p>Box wt 7 lbs Box qty 1,000</p> <p>Colors: Clear T-250</p>
--	---

Trial applications are highly recommended. Some part numbers may have quantity restrictions or additional packaging options. Consult our website for dimensional drawings of parts. If you have questions on parts or availability, please contact Tenn-Tex Plastics before ordering.