

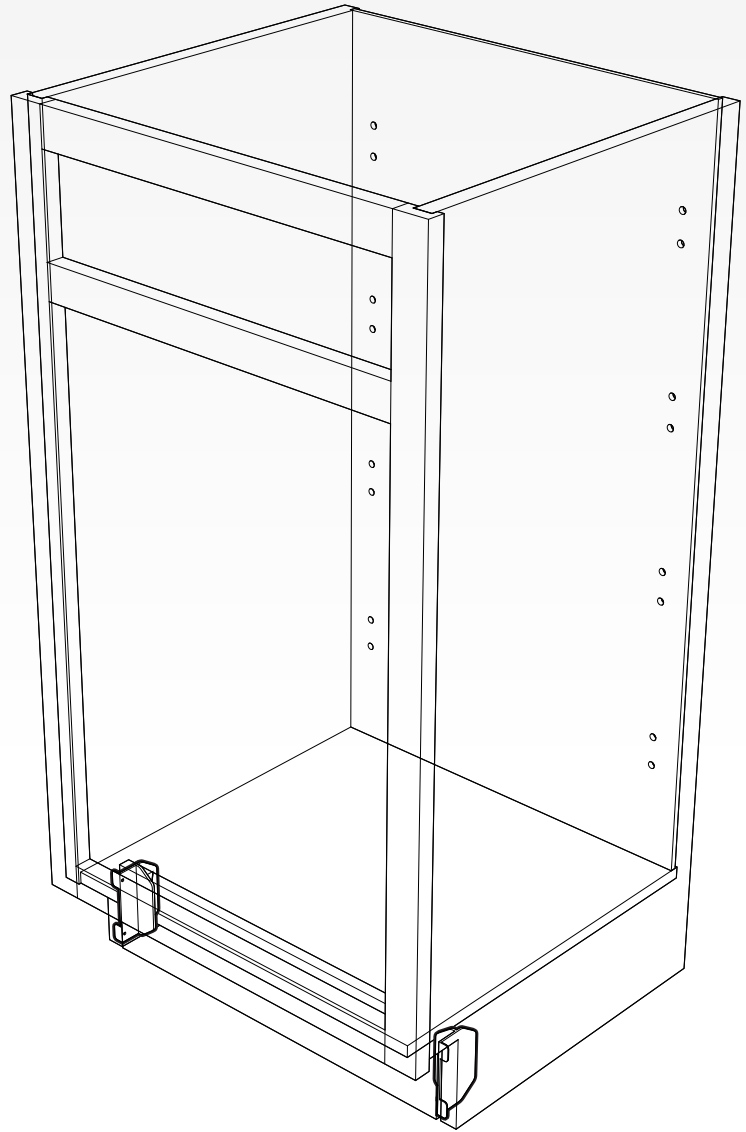
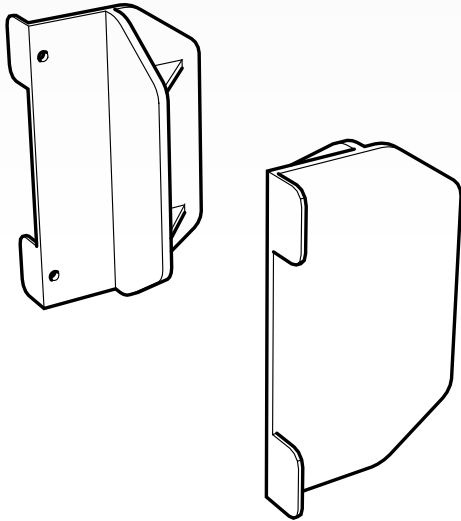


TOE KICK CONNECTORS

SAVE ASSEMBLY TIME

Tenn-Tex Plastics has designed The Simple Solution for Toe Kick Applications. Toe Kick Brackets stabilize and strengthen the Toe Kick Area of the cabinet. Installing the brackets is a straightforward process.

First, staple the Toe Kick Brackets to the bottom of the cabinet structure on the left and right side, then insert the Toe Kick Board and staple to the bracket. Tenn-Tex Plastics manufactures these brackets in 4- and 4.5-inch heights.

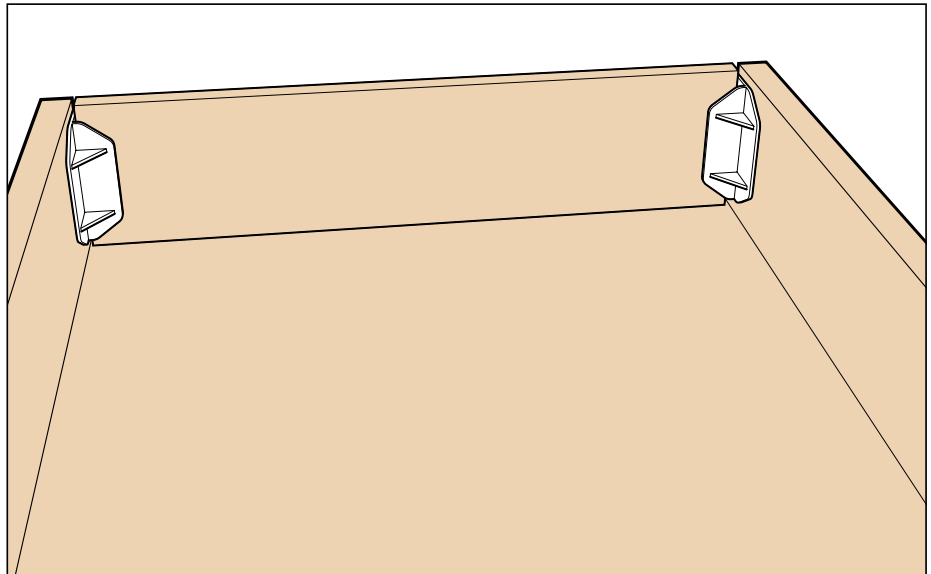


All materials ©2024 TennTex Plastics • We recommend test fitting to ensure proper function • Products in this brochure are Patented or Patent Pending.



TOE KICK CONNECTORS

T-310		Toe Kick for .500" Material
	Box wt	13 lbs
	Box qty	750
	Pallet	24,000
Colors: Natural T-310		
T-312		Toe Kick, with Tabs for .535" Material
	Box wt	13 lbs
	Box qty	700
	Pallet	22,400
Colors: Natural T-312		

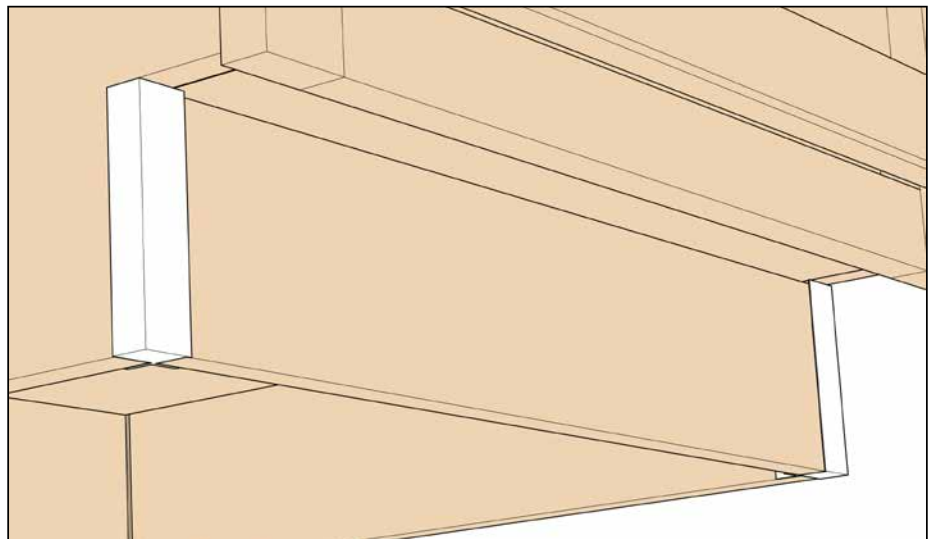


TOE KICK END CAP CONNECTORS

T-420		4" Overlay Toe Kick for .500" Material
	Box wt	32 lbs
	Box qty	650
	Pallet	11,700
Colors: Black T-420 White T-420-01 Tan T-420-02		

T-421		4" Overlay Toe Kick, Rounded for .500" Material
	Box wt	31 lbs
	Box qty	650
	Pallet	11,700
Colors: Black T-421 White T-421-01		

T-422		4" Inset Toe Kick for .500" Material
	Box wt	18 lbs
	Box qty	600
	Pallet	19,200
Colors: Black T-422 White T-422-01 Natural T-422-02		



T-423		4" Inset Toe Kick for .625" Material
	Box wt	18 lbs
	Box qty	600
	Pallet	19,200
Colors: Black T-423 White T-423-01 Natural T-423-02		

T-424		4.5" Inset Toe Kick for .625" Material
	Box wt	18 lbs
	Box qty	600
	Pallet	19,200
Colors: Black T-424 White T-424-01 Natural T-424-02		

Trial applications are highly recommended. Some part numbers may have quantity restrictions or additional packaging options. Consult our website for dimensional drawings of parts. If you have questions on parts or availability, please contact Tenn-Tex Plastics before ordering.