

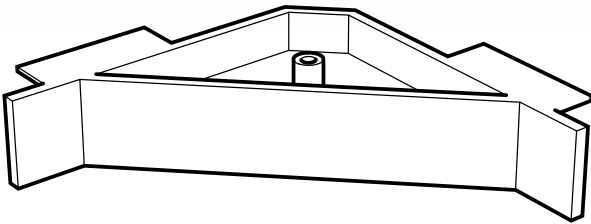
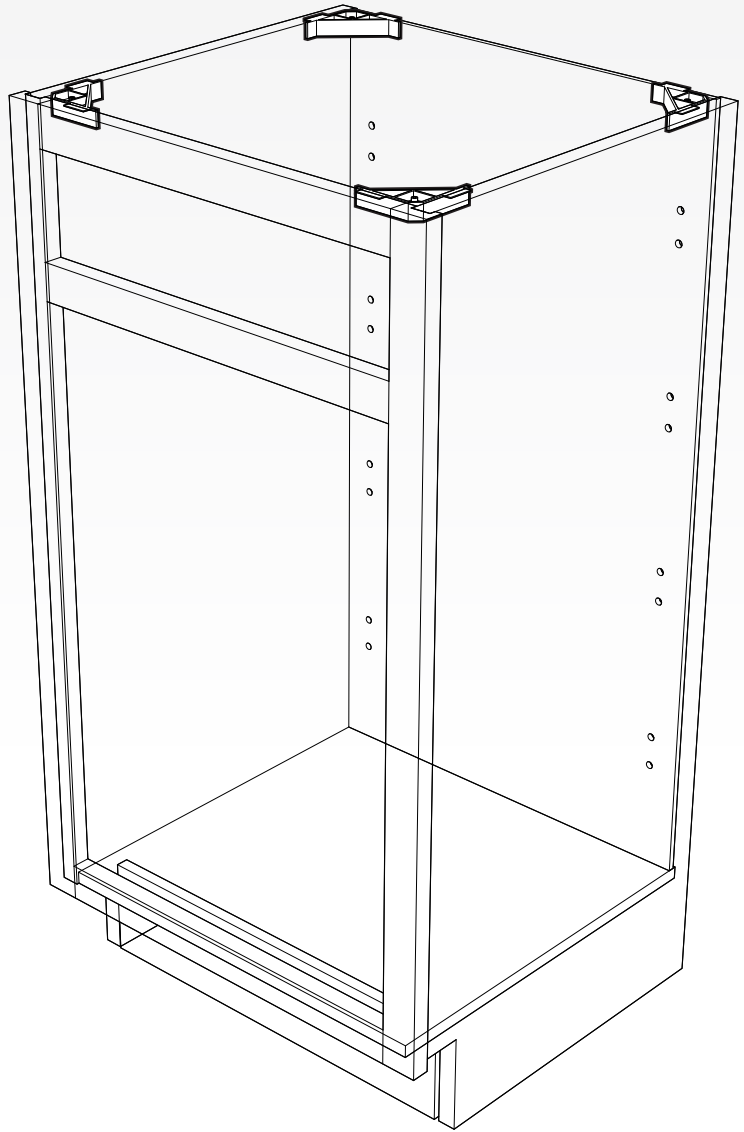


# CORNER BRACES

**SIMPLIFY CABINET ASSEMBLY**

The key to efficient line assembly is maintaining speed and consistent quality. Our corner braces can help keep your line moving and your reject rate low.

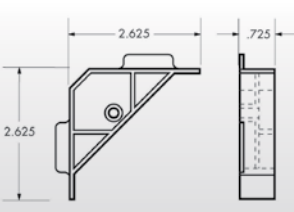
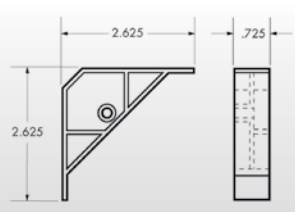
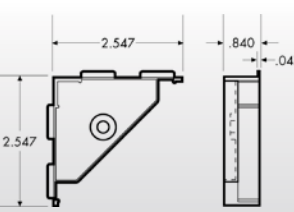
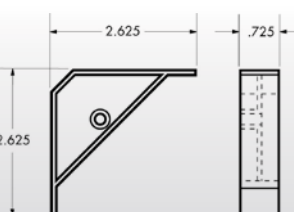
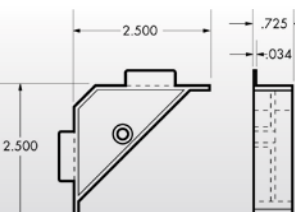
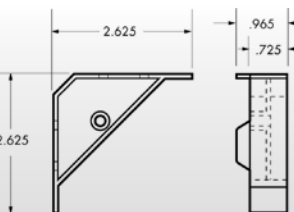
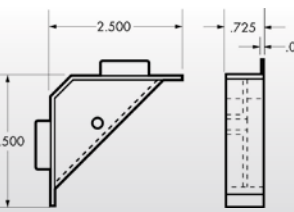
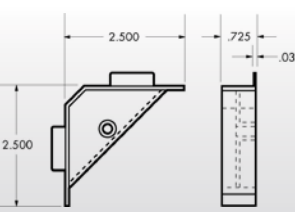
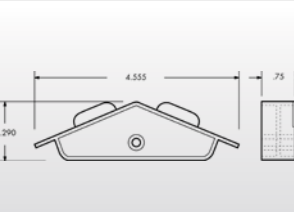
Corner Braces are offered in multiple Tab Styles. Our most popular style is with the Horizontal Tab. We also offer the Vertical tab for a larger staple area and a Corner Brace without Tabs. The Corner Braces without tabs can be used on Toe-Kick Applications that will help provide extra support for this area of your cabinet.

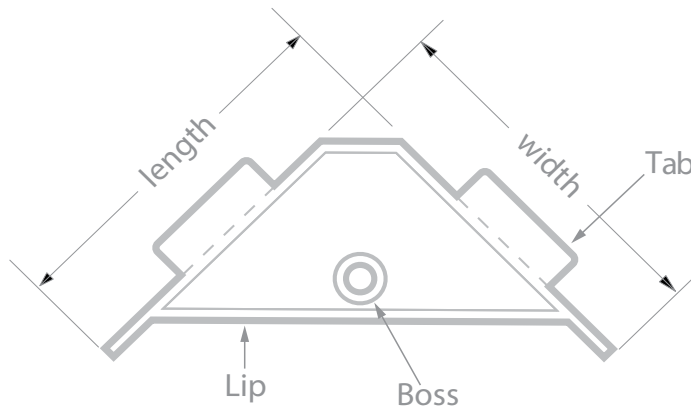


All materials ©2024 TennTex Plastics • We recommend test fitting to ensure proper function • Products in this brochure are Patented or Patent Pending.



**CORNER BRACES**

<p><b>T-361</b> 2.625" x 2.625" Corner Brace w/ Boss and Tabs, No Lip</p>  <p>Box wt 20 lbs Box qty 1,200 Pallet 21,600</p> <p>Colors: Natural T-361</p>	<p><b>T-362</b> 2.625" x 2.625" Corner Brace w/ Boss and Tabs, No Lip</p>  <p>Box wt 24 lbs Box qty 1,400 Pallet 25,200</p> <p>Colors: Natural T-362</p>	<p><b>T-400</b> 2.50" x 2.50" Corner Brace w/ Horiz. Tabs, No Boss, No Lip</p>  <p>Box wt 25 lbs Box qty 1,000 Pallet 18,000</p> <p>Colors: Natural T-400 Beige T-400-01 will hold a 1/2" shelf</p>
<p><b>T-410</b> 2.625" x 2.625" Corner Brace w/ Boss and Lip, No Tabs</p>  <p>Box wt 23 lbs Box qty 1,000 Pallet 18,000</p> <p>Colors: Natural T-410 Beige T-410-02</p>	<p><b>T-411</b> 2.50" x 2.50" Corner Brace w/ Boss, Lip, and Horiz. Tabs</p>  <p>Box wt 24 lbs Box qty 1,000 Pallet 18,000</p> <p>Colors: Natural T-411 Vanilla T-411-01 Beige T-411-02 White T-411-03</p>	<p><b>T-412</b> 2.625" x 2.625" Corner Brace w/ Boss, Lip, and Vert. Tabs</p>  <p>Box wt 24 lbs Box qty 1,000 Pallet 18,000</p> <p>Colors: Natural T-412 Vanilla T-412-01 Beige T-412-02</p>
<p><b>T-413</b> 2.50" x 2.50" Corner Brace w/ Horiz. Tabs, No Boss or Lips</p>  <p>Box wt 20 lbs Box qty 1,000 Pallet 18,000</p> <p>Colors: Natural T-413</p>	<p><b>T-414-02</b> 2.50" x 2.50" Corner Brace w/ Horiz. Tabs and Boss, No Lips</p>  <p>Box wt 20 lbs Box qty 1,000 Pallet 18,000</p> <p>Colors: Beige T-414-02</p>	<p><b>T-415</b> 2.50" x 2.50" Corner Brace 135 Degree w/ Horiz. Tabs</p>  <p>Box wt 30 lbs Box qty 1,000 Pallet 18,000</p> <p>Colors: Natural T-415</p>



Trial applications are highly recommended. Some part numbers may have quantity restrictions or additional packaging options. Consult our website for dimensional drawings of parts. If you have questions on parts or availability, please contact Tenn-Tex Plastics before ordering.