

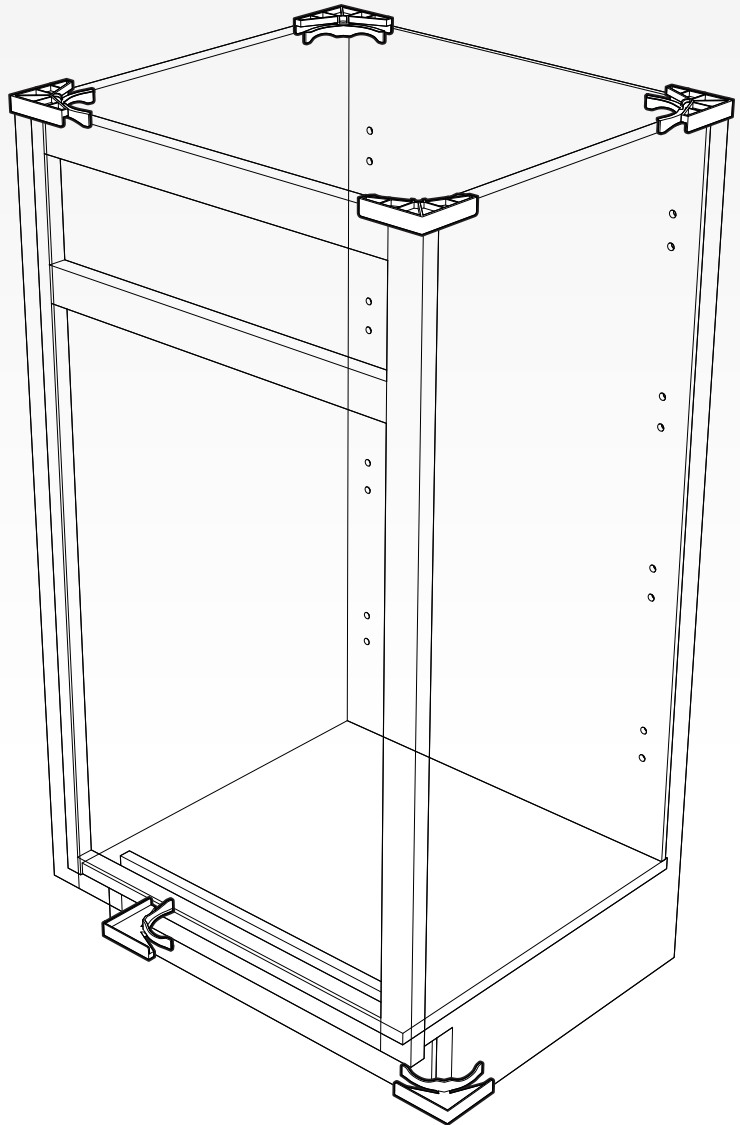
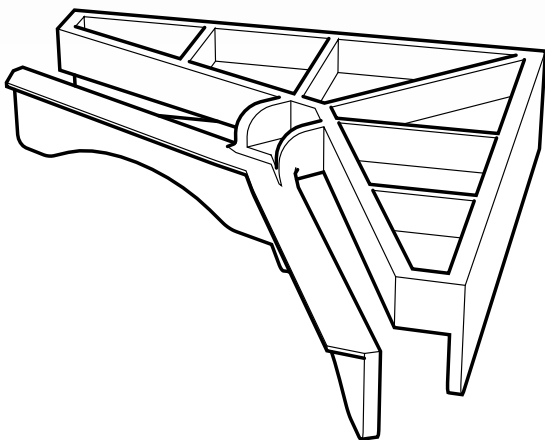


CORNER PROTECTORS

SAFEGUARD YOUR PRODUCTS

Protecting the corners of your Kitchen Cabinets is a high priority for all manufacturers. Our Corner Protectors offer quick and easy installation on both wall and base cabinets. They will fit multiple side panel thicknesses.

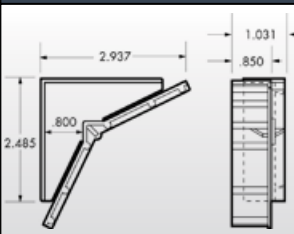
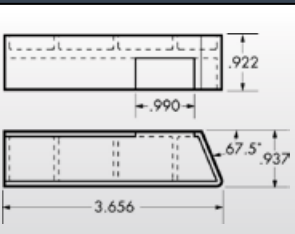
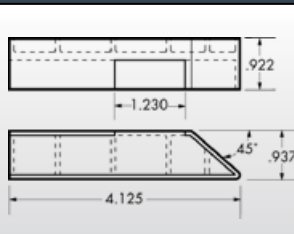
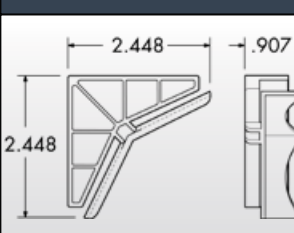
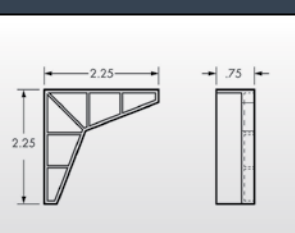
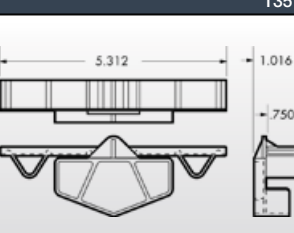
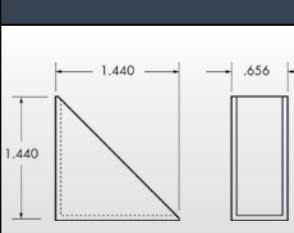
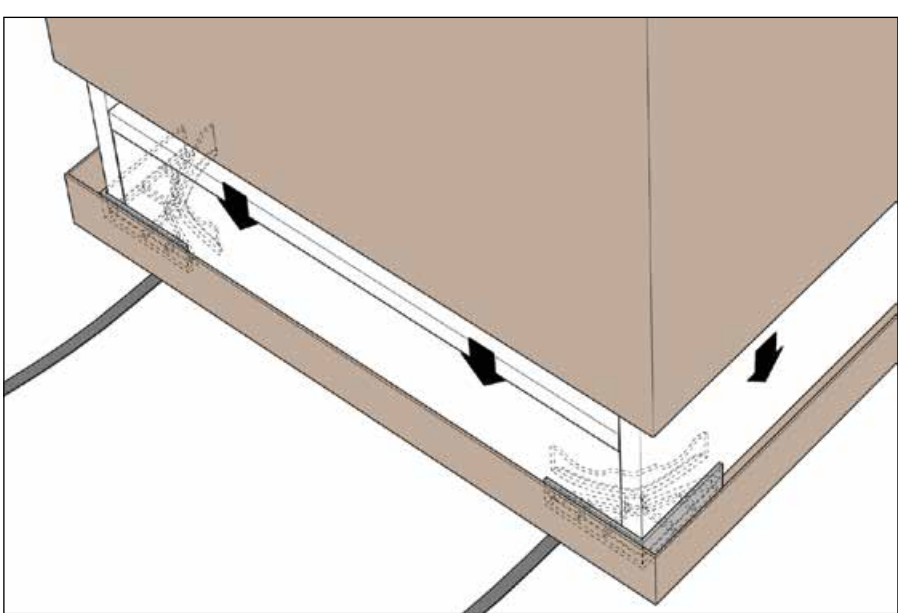
We offer Corner Protectors for 90-Degree, 22.5-degree and 45-degree applications. We also offer a 135-degree application for your Lazy Susan Cabinets. If you are looking for extra protection for the corners of your cabinets, Tenn-Tex has the solution.



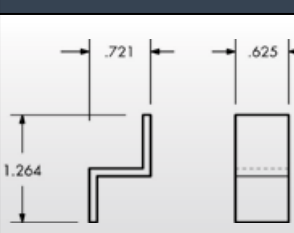
All materials ©2024 TennTex Plastics • We recommend test fitting to ensure proper function • Products in this brochure are Patented or Patent Pending.



CORNER PROTECTORS

<p>T-430-02 Corner Protector 2.50"</p>  <p>Box wt 25 lbs Box qty 750 Pallet 9,000</p> <p>Colors: Black T-430-02</p>	<p>T-431 Corner Protector - Handed 22.5° Corner</p>  <p>Box wt 11 lbs Box qty 750 Pallet 5,250</p> <p>Colors: Black T-431-03 Left Black T-431-04 Right</p>	<p>T-432 Corner Protector - Handed 45° Corner</p>  <p>Box wt 11 lbs Box qty 750 Pallet 5,250</p> <p>Colors: Black T-432-03 Left Black T-432-04 Right</p>
<p>T-433-02 Corner Protector 2.25"</p>  <p>Box wt 25 lbs Box qty 1,200 Pallet 14,400</p> <p>Colors: Black T-433-02</p>	<p>T-434-02 Corner Protector without wings, 2.25"</p>  <p>Box wt 28 lbs Box qty 1,800 Pallet 32,400</p> <p>Colors: Black T-434-02</p>	<p>T-435-02 Corner Protector 135° Lazy Susan Cabinet</p>  <p>Box wt 18 lbs Box qty 500 Pallet 9,000</p> <p>Colors: Black T-435-02</p>
<p>T-444 Corner Protector for 1/2" Frames</p>  <p>Box wt 15 lbs Box qty 1,800 Pallet 57,600</p> <p>Colors: Natural T-444</p>		

SHELF HOLD DOWN CLIP

<p>T-182 Z Clip Shelf Hold Down</p>  <p>Box wt 16 lbs Box qty 3,000</p> <p>Colors: Natural T-182</p>

Trial applications are highly recommended. Some part numbers may have quantity restrictions or additional packaging options. Consult our website for dimensional drawings of parts. If you have questions on parts or availability, please contact Tenn-Tex Plastics before ordering.