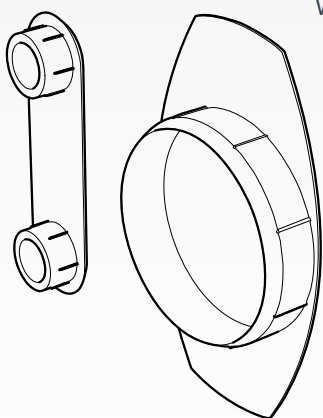


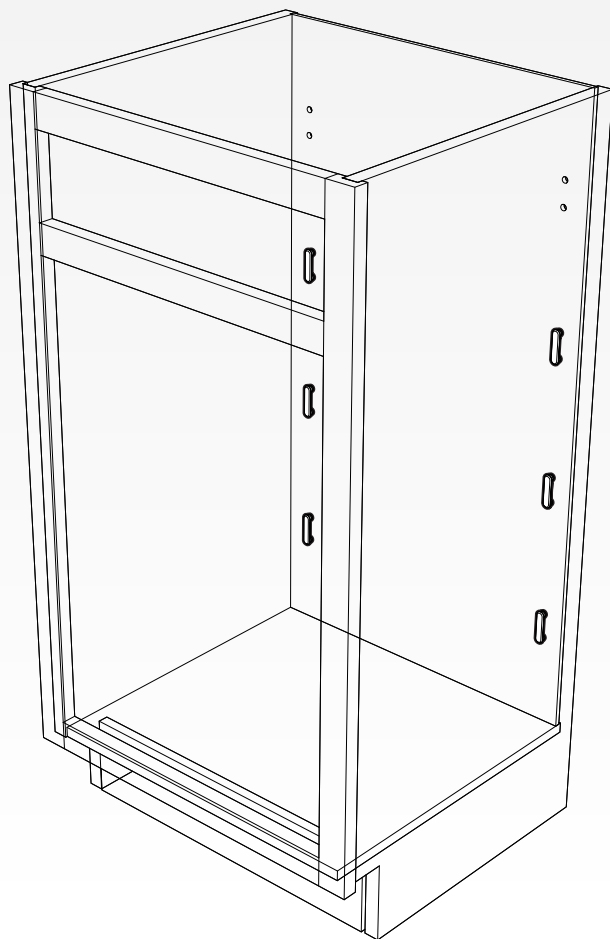
COVER CAPS

USE ONE CABINET BACK WITHOUT EXTRA HOLES

At Tenn-Tex, our most popular cover caps are used in cabinet backs that are predrilled for Drawer Slide Brackets. For cabinet backs with multiple drawer options, our cover caps fill the extra unused holes in the cabinet back. This will allow the manufacturer to have one cabinet back for all drawer slide applications.



We offer the Cover Caps with 10mm and 8mm dowel options. Our 35mm Cover Caps can be used to cover pre-bored Hinge mounting applications. Our most popular colors are Beige and White.



COVER CAPS

T-780	Hole Plug 8mm	T-781	Hole Plug 10mm	T-782	Cover Cap 35mm
	<p>Box wt 23 lbs Box qty 8,000 Pallet 256,000</p> <p>Colors: White T-780 Beige T-780-01</p>		<p>Box wt 18 lbs Box qty 6,000 Pallet 192,000</p> <p>Colors: White T-781 Beige T-781-01 Almond T-781-02 Cream T-781-03 Vanilla T-781-04</p>		<p>Box wt 24 lbs Box qty 3,000 Pallet 54,000</p> <p>Colors: White T-782 Other colors available by Special Order, minimum quantities required.</p>

Trial applications are highly recommended. Some part numbers may have quantity restrictions or additional packaging options. Consult our website for dimensional drawings of parts. If you have questions on parts or availability, please contact Tenn-Tex Plastics before ordering.

All materials ©2024 TennTex Plastics • We recommend test fitting to ensure proper function • Products in this brochure are Patented or Patent Pending.



Scan here for more product information.