

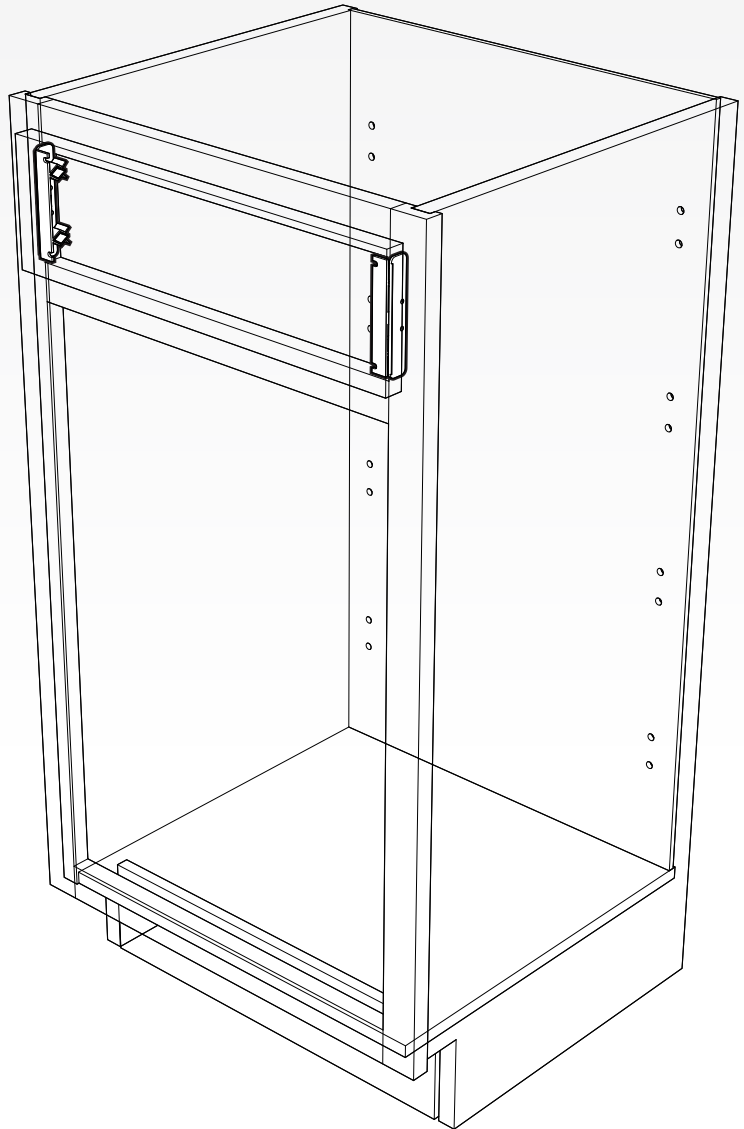
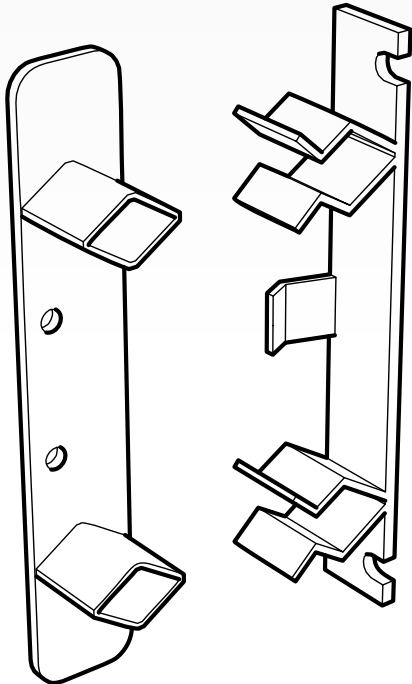


# FALSE FRONT CLIPS

MAKING DIFFICULT TASKS EASY

Installing and aligning false drawer fronts on sink base cabinets can be a tedious and time consuming task. Our False Front Clips offer a faster and easier alternative.

Tenn-Tex Plastics offers several distinctive styles to fit various openings. They are equally useful for access panels on boats, spas or any kind of decorative panel that must remain removable.

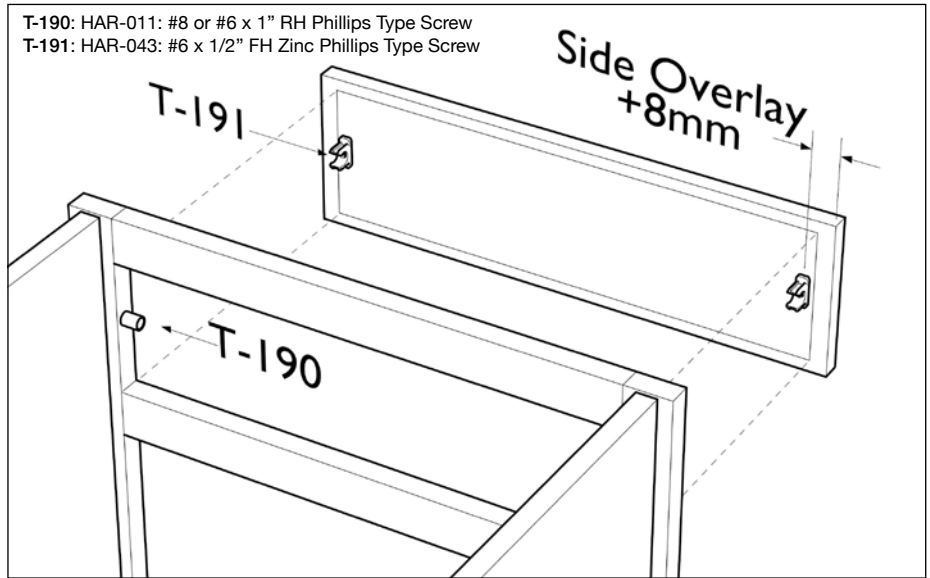


All materials ©2024 TennTex Plastics • We recommend test fitting to ensure proper function • Products in this brochure are Patented or Patent Pending.



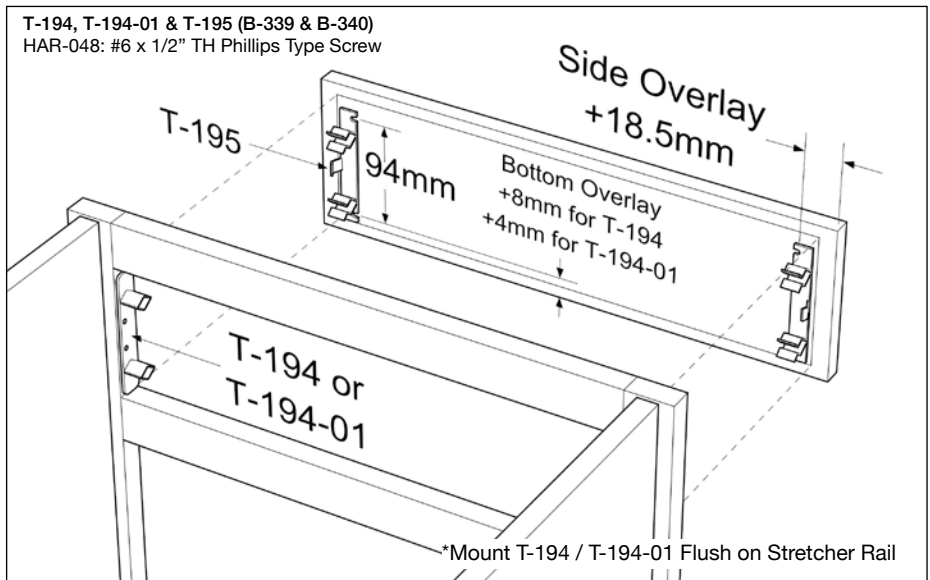
**FALSE FRONT DOWEL AND CLIP**

<b>T-190</b>		<b>False Front Dowel for #8 or #6 x 1" RHP Screw</b>
	Box wt	23 lbs
	Box qty	8,000
Also available: B-172 (100/bag) 25 bags /box  B-414 (1000/bag) 1 bag/box		
<b>T-191</b>		<b>False Front Clip</b>
	Box wt	34 lbs
	Box qty	8,000
Also available: B-172 (100/bag) 25 bags /box  B-414 (1000/bag) 1 bag/box		



**FALSE FRONT TWIN DOWEL AND CLIP**

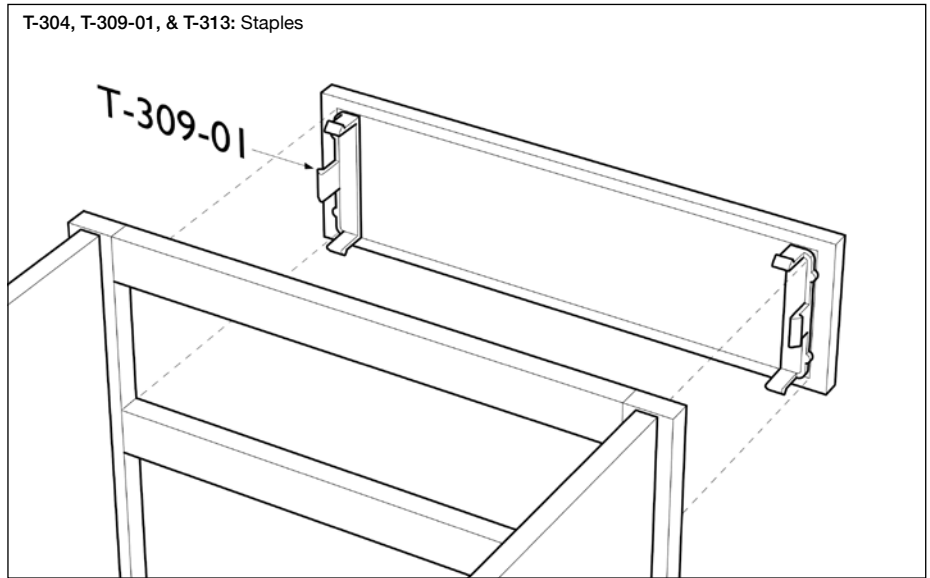
<b>T-194</b>		<b>False Front Twin Dowel for 4.5" Opening</b>
	Box wt	17 lbs
	Box qty	800
Also available: B-339 (T-194 x2, T-195 x2, & 4 screws) 50 bags /box		
<b>T-194-01</b>		<b>False Front Twin Dowel for 4" Opening</b>
	Box wt	17 lbs
	Box qty	800
Also available: B-340 (T-194-01 x2, T-195 x2, & 4 screws) 50 bags /box		
<b>T-195</b>		<b>False Front Twin Dowel Clip works with T-194 and T-194-01</b>
	Box wt	17 lbs
	Box qty	800
Also available: B-339 (T-194 x2, T-195 x2, & 4 screws) 50 bags /box  B-340 (T-194-01 x2, T-195 x2, & 4 screws) 50 bags /box		



Trial applications are highly recommended. Some part numbers may have quantity restrictions or additional packaging options. Consult our website for dimensional drawings of parts. If you have questions on parts or availability, please contact Tenn-Tex Plastics before ordering.

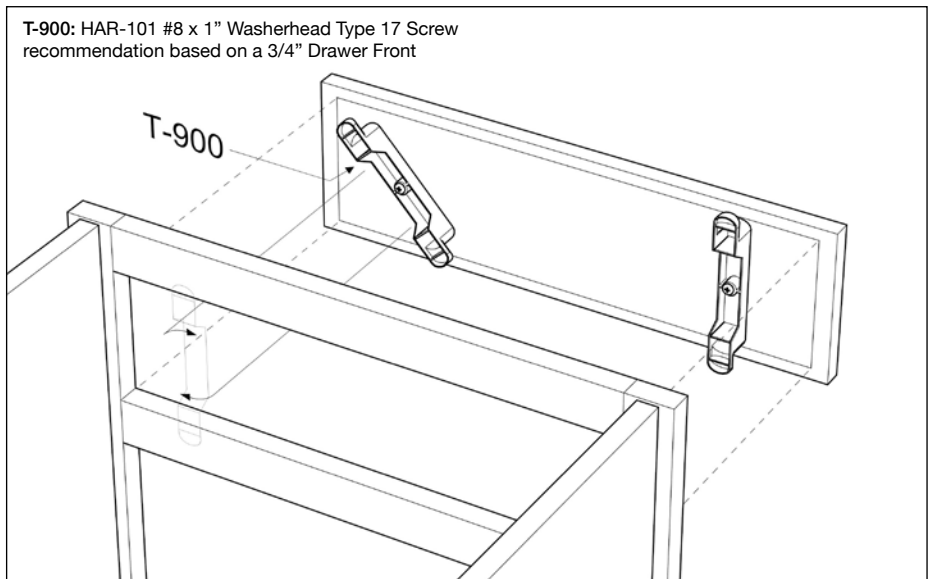
### FALSE FRONT CLIPS

<b>T-304</b>		False Front Clip for 4.5" Opening
		Box wt 12 lbs Box qty 500
		Also available: T-300 for 4" Opening
<b>T-309-01</b>		False Front Clip w/ Standoff for 4.5" Opening
		Box wt 15 lbs Box qty 500
		*4mm standoff
<b>T-313-01</b>		False Front Clip w/ Standoff for 5" Opening
		Box wt 13 lbs Box qty 400
		*4mm standoff



### FALSE FRONT TURNBUCKLE

<b>T-900</b>		False Front Turnbuckle for 4.5" Opening
		Box wt 26 lbs Box qty 700



Trial applications are highly recommended. Some part numbers may have quantity restrictions or additional packaging options. Consult our website for dimensional drawings of parts. If you have questions on parts or availability, please contact Tenn-Tex Plastics before ordering.