



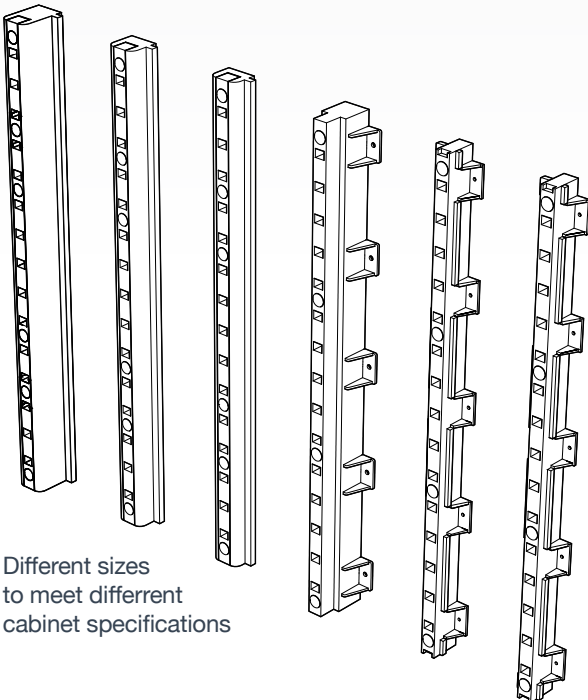
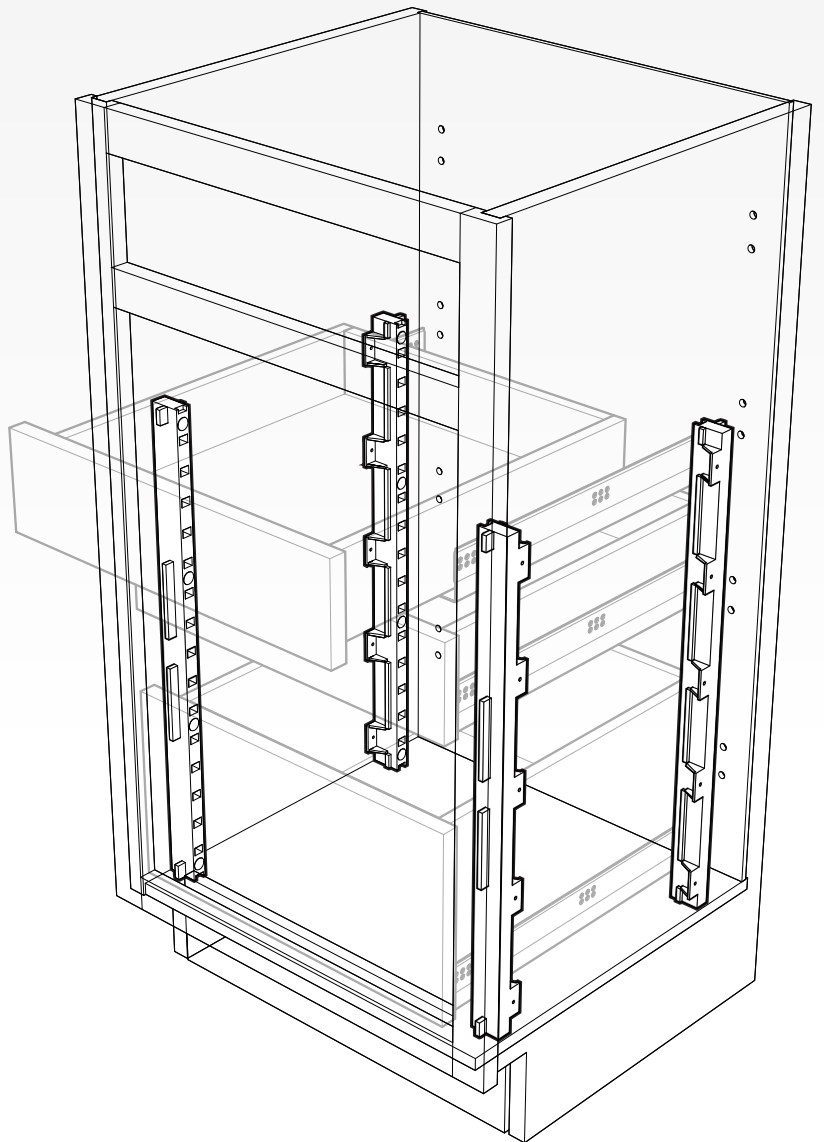
QUIKTRAY ROLLOUT SYSTEM

EASY INSTALLATION • TOOL FREE ADJUSTABILITY • DURABLE

The QuikTRAY™ Rollout System from Tenn-Tex Plastics lets you add value to your entire product line. Equally useful with frame or frameless cabinets, QuikTRAY™ installs easily and adjust without tools.

With QuikTRAY™ there is no need to change your current specifications in order to maximize storage space in new or existing cabinets. The versatility and simplicity of the system works with any standard cabinet and most brands of drawer slides.

New cabinets, existing cabinets, sales displays, and pantry units can all benefit from the patented QuikTRAY™ Rollout System. It's the Simple Solutions for maximizing storage space.

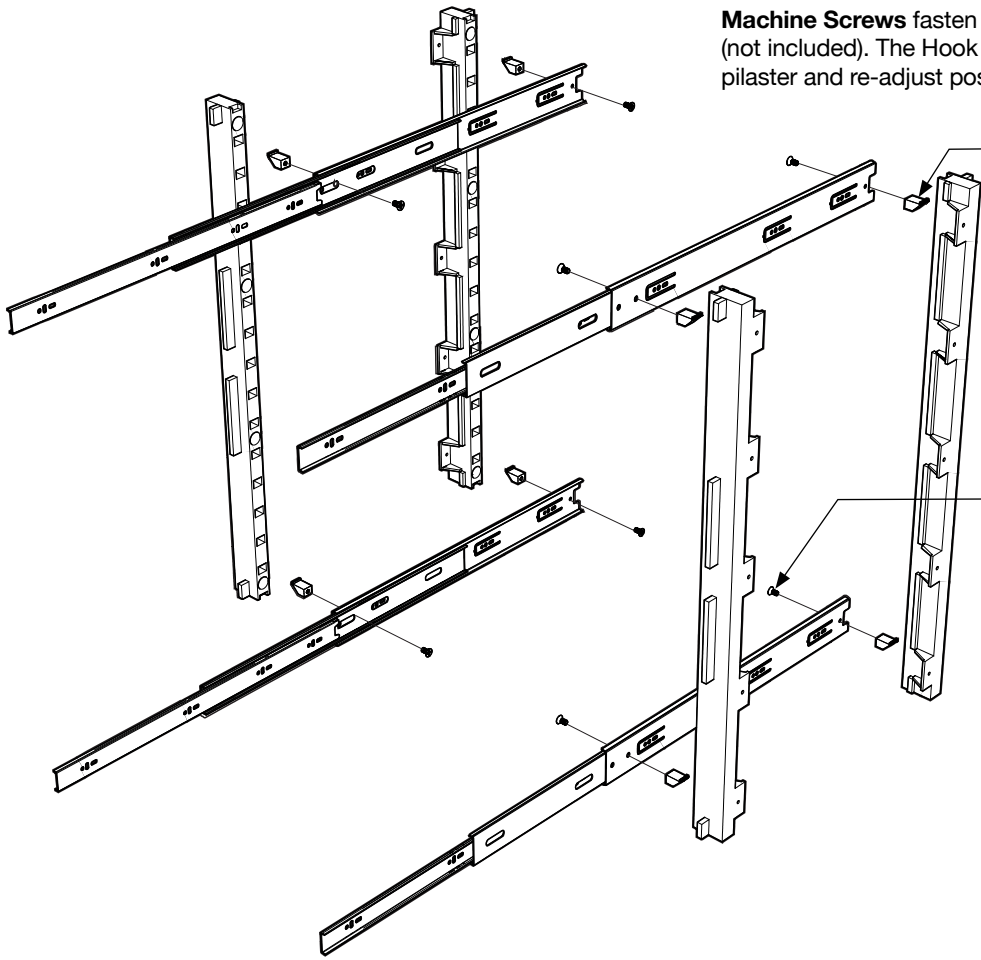


Different sizes to meet different cabinet specifications

All materials ©2024 TennTex Plastics • We recommend test fitting to ensure proper function • Products in this brochure are Patented or Patent Pending.

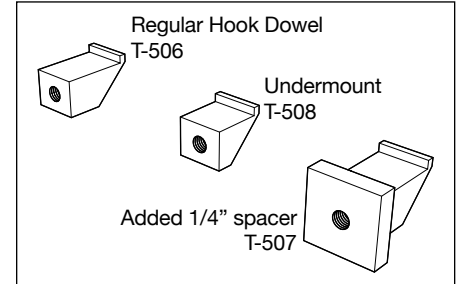


Scan here for more product information.



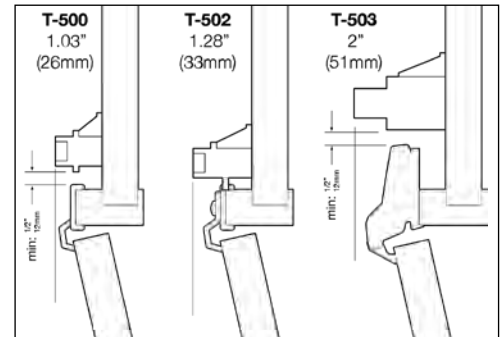
Machine Screws fasten the **Hook Dowels** to the any type of slide (not included). The Hook Dowels allow the slide to attach to the pilaster and re-adjust positions easily without tools.

Hook Dowels



Machine Screws
HAR-013

Three different sizes of pilasters for different face frame overlays and hinge offsets



QuikTRAY also works for Frameless cabinets

PILASTERS

* Black and Metallic are special order only.

T-500	1" QuikTRAY Pilaster	T-502	1.25" QuikTRAY Pilaster	T-503	2" QuikTRAY Pilaster
	<p>Box wt 27 lbs Box qty 100 Pallet 2,000</p> <p>Colors: White T-500-00 Beige T-500-01 Black* T-500-02 Metallic* T-500-04</p> <p>Bags - 4 pilasters: White B-520-00 Beige B-520-01 Black* B-520-02 Metallic* B-520-04</p> <p>Bags - 100 pilasters: White B-500-00 Beige B-500-01 Black* B-500-02 Metallic* B-500-04</p>		<p>Box wt 33 lbs Box qty 100 Pallet 1,600</p> <p>Colors: White T-502-00 Beige T-502-01 Black* T-502-02 Metallic* T-502-04</p> <p>Bags - 4 pilasters: White B-522-00 Beige B-522-01 Black* B-522-02 Metallic* B-522-04</p> <p>Bags - 100 pilasters: White B-502-00 Beige B-502-01 Black* B-502-02 Metallic* B-502-04</p>		<p>Box wt 28 lbs Box qty 48 Pallet 768</p> <p>Colors: White T-503-00 Beige T-503-01 Black* T-503-02 Metallic* T-503-04</p> <p>Bags - 4 pilasters: White B-525-00 Beige B-525-01 Black* B-525-02 Metallic* B-525-04</p> <p>Bags - 100 pilasters: White B-503-00 Beige B-503-01 Black* B-503-02 Metallic* B-503-04</p>

4 pilaster Bags contain 4 pilasters, 8 regular hook dowels, 8 undermount hook dowels, 8 machine screws, and 20 wood screws, plus instructions.
100 pilaster Bags contain 100 pilasters, 200 regular hook dowels, 200 machine screws, and 500 wood screws, plus instructions. For undermount in the 100 pilaster bags add -U suffix for undermount hook dowels instead.

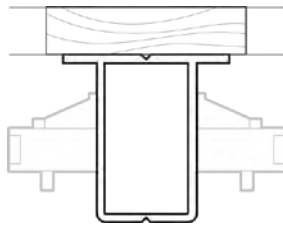
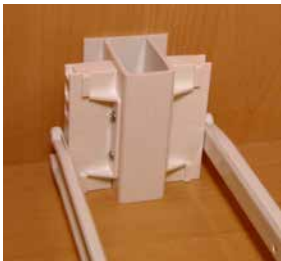
QUIKTRAY ACCESSORIES

ROLLOUT TRAY BUMPERS

T-161	Side Mount 11.5 mm Tray Bumper	T-160	Side Mount 18mm Tray Bumper	C-247	Undermount Rollout Bumper
	<p>Box wt 13 lbs Box qty 2,000 Pallet 64,000</p> <p>Colors: Natural T-161-00 White T-161-01 Beige T-161-02</p> <p>Polybag: Natural B-333 White B-334 Beige B-335</p> <p>100 Pack: Natural B-401-00 White B-401-01 Beige B-401-02</p>		<p>Box wt 17 lbs Box qty 2,000 Pallet 64,000</p> <p>Colors: Natural T-160-00 White T-160-01 Beige T-160-02</p> <p>Polybag: Natural B-336 White B-337 Beige B-338</p> <p>100 Pack: Natural B-400-00 White B-400-01 Beige B-400-02</p>		<p>Box wt 6 lbs Box qty 1,000</p> <p>Colors: Natural C-247-00 White C-247-01 Beige C-247-02 Gray C-247-03</p> <p>Polybag: Natural B-373 White B-374 Beige B-375 Gray B-376</p> <p>100 Pack: Natural B-402-00 White B-402-01 Beige B-402-02 Gray B-402-03</p>

Polybags contain two bumpers and two #6 x 1/2" TH Phillips screws per bag, 50 bags per box. 100 Packs contain 100 bumpers, but no hardware, per bag. B-401s and B-400s have 10 bags per box. B-402s have 25 bags per box

SPECIALTY PILASTERS AND SUPPORTS



Short Pilasters are used under sinks or in other situations where a taller pilaster would not work, and only a single pull out tray is needed.

Center partition supports provide a surface to mount the pilasters on a cabinet with a center mullion from a double door

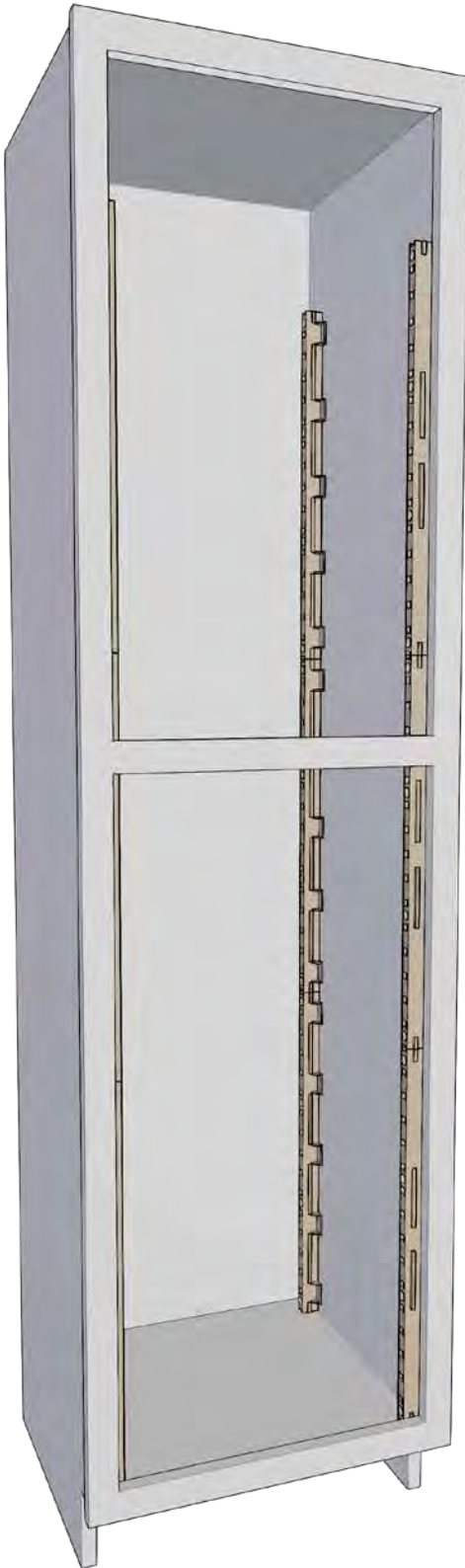
T-531	1 1/4" Short QuikTRAY Pilaster	HAR-034	20" Center Partition QuikTray Extrusion
	<p>Box wt 9 lbs Box qty 100 Pallet 7,500</p> <p>Colors: White T-531-00 Beige T-531-01</p> <p>Polybag: White B-523-00 Beige B-523-01</p> <p>100 Pack: White B-524-00 Beige B-524-01</p>		<p>Box wt 23 lbs Box qty 24</p> <p>Colors: White HAR-034 Beige HAR-035</p> <p>Polybag: White B-235-00 Beige B-235-01</p> <p>24 Pack: White B-232-00 Beige B-232-01</p>

Polybags contain four pilasters and twenty 7/16" wood screws and instructions per bag, 20 bags per box. 100 Packs contain 100 supports, 100 machine screws, 100 hook dowels, and instructions per bag, one bag per box.

Polybags contain two supports and twenty 7/16" wood screws and instructions per bag, 12 bags per box. 24 Packs contain 24 supports and one hundred 7/16" wood screws and instructions per bag, one bag per box.

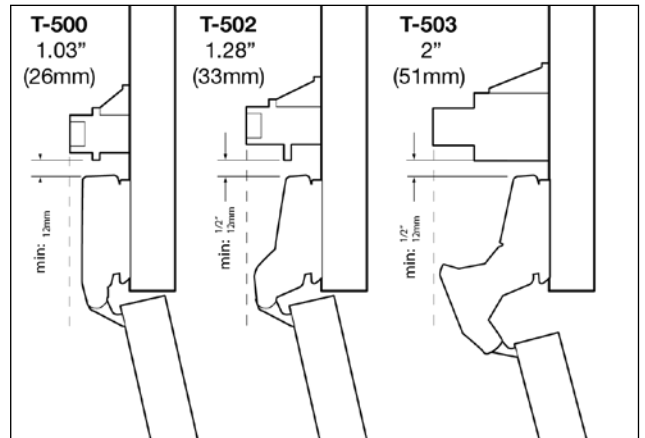
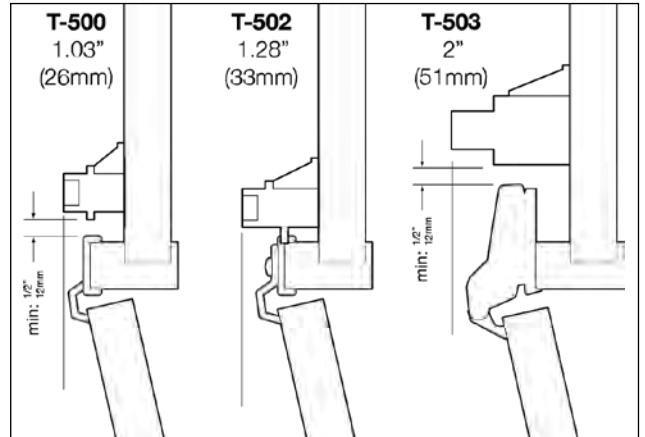
Extrusion can be cut down to fit space requirements with standard wood cutting tools.

WHICH QUIKTRAY TO USE

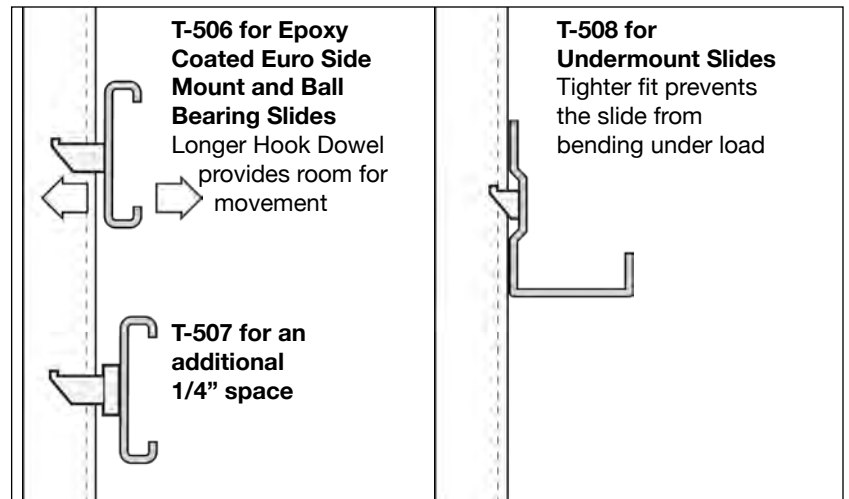


Stack the QuikTRAY Pilasters on top of one another to quickly and easily outfit a pantry unit. They can even be cut down with standard wood working tools to create an exact fit.

PILASTERS FOR FACE FRAME AND FRAMELESS CABINETS

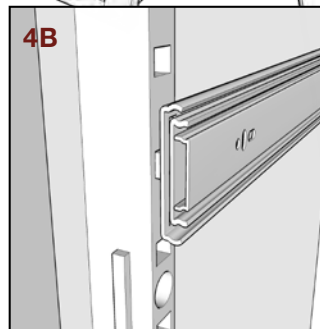
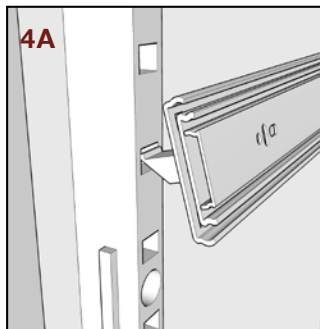
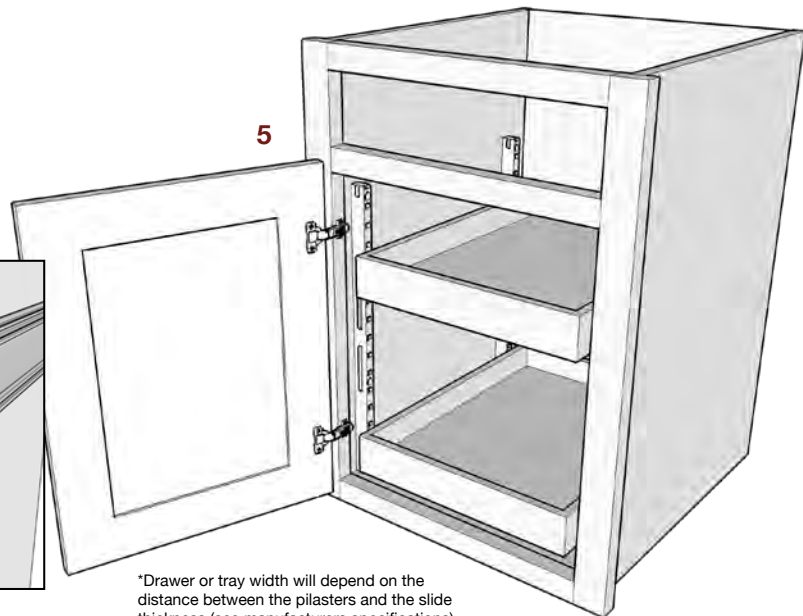
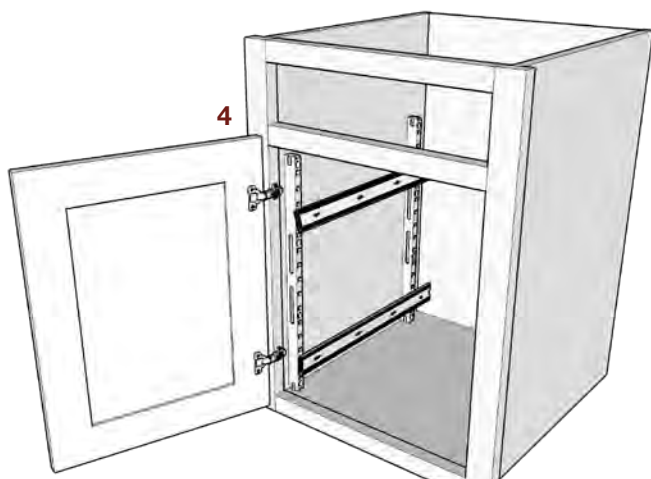
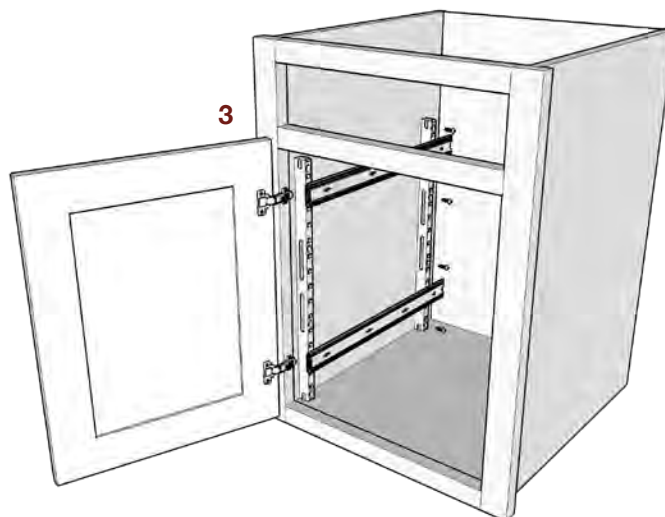
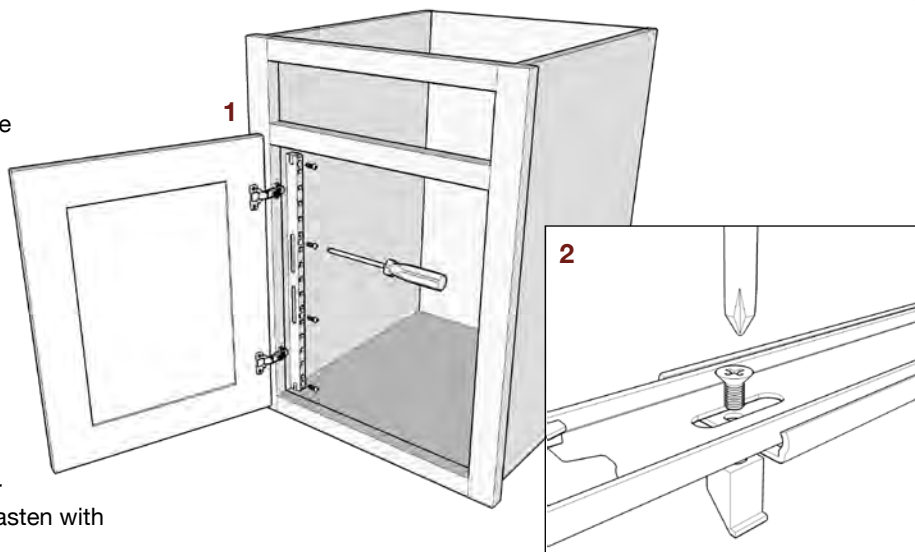


HOOK DOWELS FOR ANY SLIDE



QUIKTRAY INSTALLATION

- 1** Place QuikTRAY™ pilaster behind face-frame or set back, according to type of cabinet construction or hinges being used. Rest pilaster against cabinet bottom. Fasten with 5 wood screws or 4 Euro Screws.
- 2** Attach hook dowels (hooks pointing up) at front and back of drawer slide. Front hook dowels on slides must be mounted as far forward as possible.
- 3** To position back pilaster, insert two drawer slides of your choice to top and bottom of secured front pilaster and to unattached rear pilaster. Float rear pilaster into position and fasten with screws. Repeat procedure on the other side.
- 4** Move slides to desired position, inserting at slight angle.
- 4A** With patented hook dowels, no tools are required to install slides and trays. Just insert dowel with hook pointing up, then push down to lock into place.
- 4B** Hook dowels allow slides to move laterally to adjust for cabinet and drawer width tolerances.
- 5** Install drawers or trays.*



*Drawer or tray width will depend on the distance between the pilasters and the slide thickness (see manufacturers specifications).