

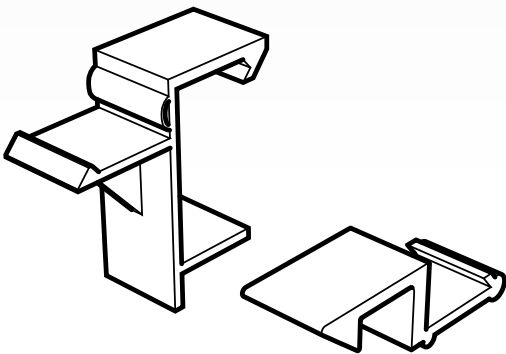
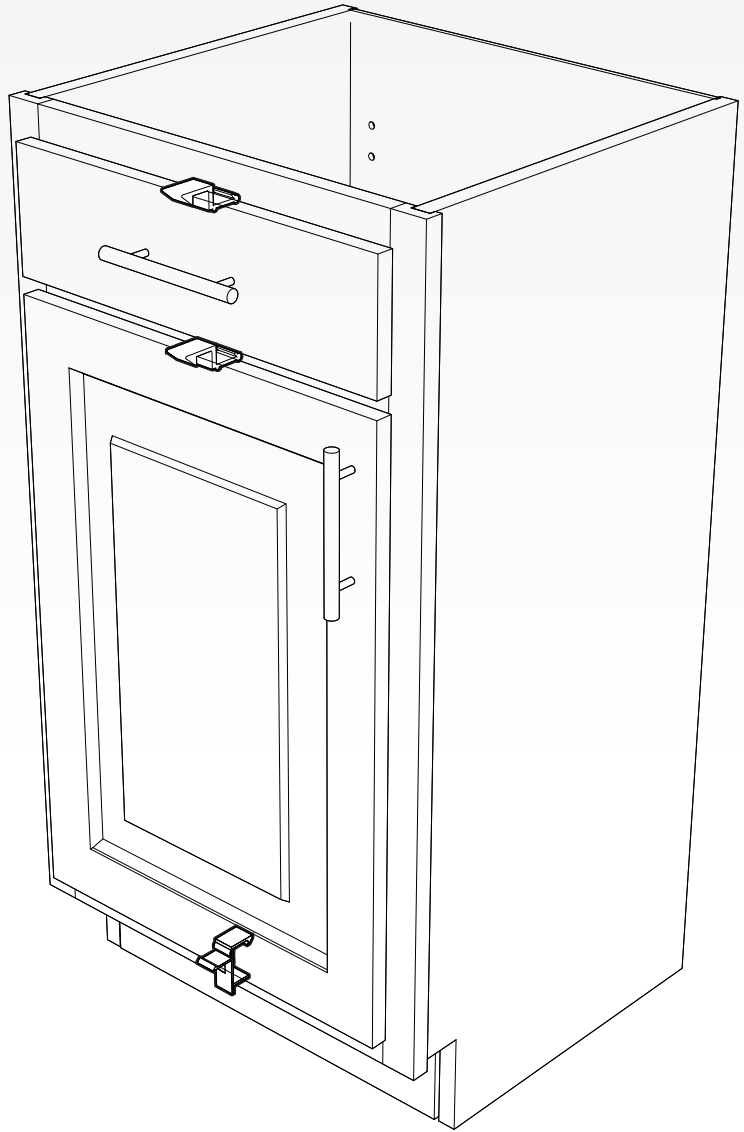


SHIPPING CLIPS

PREVENT COMMON SHIPPING PROBLEMS

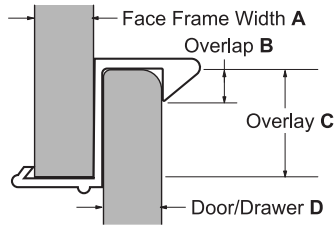
Shipping Clips for Face-Frame Cabinets efficiently hold doors and drawers in a closed position and support the door during the shipping process.

We offer designs for various door profiles and overlays. Please contact Tenn-Tex Plastics for The Simple Solutions for your Shipping Clip Applications.



All materials ©2024 TennTex Plastics • We recommend test fitting to ensure proper function • Products in this brochure are Patented or Patent Pending.

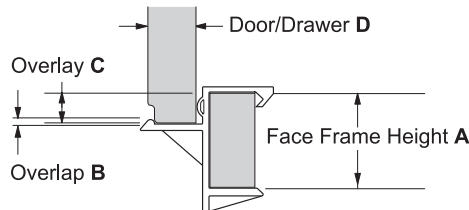




DOOR & DRAWER SHIPPING CLIPS

Prevents Door & Drawer Fronts From Opening During Shipping

PART #	DESCRIPTION	BOX QTY	BOX WEIGHT		A FACE FRAME WIDTH	B OVERLAP	C OVERLAY	D DOOR/ DRAWER
T-170	Door & Drawer Shipping Clip	2500	18	decimal	0.750	0.400	1.360	0.750
				fraction	3/4"	13/32"	1 23/64"	3/4"
T-171	Door & Drawer Shipping Clip, Vanilla	2500	18	decimal	0.750	0.265	1.360	0.750
				fraction	3/4"	17/64"	1 23/64"	3/4"
T-172	Door & Drawer Shipping Clip	2500	18	decimal	0.750	0.265	1.360	0.660
				fraction	3/4"	17/64"	1 23/64"	21/32"
T-173	Door & Drawer Shipping Clip, Brown	3500	16	decimal	0.750	0.218	0.328	0.656
				fraction	3/4"	7/32"	21/64"	21/32"
T-174	Door & Drawer Shipping Clip, Natural Oak	3000	12	decimal	0.750	0.265	0.656	0.656
				fraction	3/4"	17/64"	21/32"	21/32"
T-175	Door & Drawer Shipping Clip	3000	16	decimal	0.750	0.281	0.500	0.656
				fraction	3/4"	9/32"	1/2"	21/32"
T-177	Door & Drawer Shipping Clip	2500	17	decimal	0.750	0.281	1.250	
				fraction	3/4"	9/32"	1 1/4"	3/4"
T-178	Door & Drawer Shipping Clip	2500	18	decimal	0.750	0.265	1.540	0.656
				fraction	3/4"	17/64"	1 35/64"	21/32"
T-179	Door & Drawer Shipping Clip	2500	16	decimal	0.750	0.265	0.906	0.656
				fraction	3/4"	17/64"	29/32"	21/32"
T-180	Wrap Around Shipping Clip	2000	27	decimal	0.750	0.265	0.218	VARIABLE
				fraction	3/4"	17/64"	1/32"	VARIABLE
T-181	Door & Drawer Shipping Clip, Greeb	3500	22	decimal	0.750	0.250	0.328	0.750
				fraction	3/4"	1/4"	21/64"	3/4"
T-183	Door Clip (.75 Width) Fits 1 5/8" Face Frame	1300	16	decimal	1.625	N/A	N/A	N/A
				fraction	1 5/8"	N/A	N/A	N/A



OVERLAY DOOR/DRAWER SUPPORT & SHIPPING CLIP

Provides Support & Prevents Door & Drawer Fronts From Opening During Shipping

PART #	DESCRIPTION	BOX QTY	BOX WEIGHT		A FACE FRAME WIDTH	B OVERLAP	C OVERLAY	D DOOR/ DRAWER
T-892	1/4" Overlay Door Support/Shipping Clip, White	2000	28	decimal	1.625	0.060	1.327	0.750
				fraction	1 5/8"	1/16"	1 15/16"	3/4"
T-893	5/16" Overlay Door Support/Shipping Clip, Yellow	2000	28	decimal	1.625	0.060	0.375	0.750
				fraction	1 5/8"	1/16"	3/8"	3/4"
T-894	1/2" Overlay Door Support/Shipping Clip, Natural	2000	28	decimal	1.625	0.060	0.576	0.750
				fraction	1 5/8"	1/16"	9/16"	3/4"
T-896	1/2" Overlay Door Support/Shipping Clip, Beige	2500	33	decimal	1.500	0.060	0.500	0.750
				fraction	1 1/2"	1/16"	1/2"	3/4"
T-897	1 1/4" Overlay Door Support/Shipping Clip, Black	2500	33	decimal	1.500	0.060	1.250	0.750
				fraction	1 1/2"	1/16"	1 1/4"	3/4"
T-898	1 1/4" Overlay Door Support/Shipping Clip, Black	2500	33	decimal	1.500	0.175	1.250	0.750
				fraction	1 1/2"	11/64"	1 1/4"	3/4"

Trial applications are highly recommended. Some part numbers may have quantity restrictions or additional packaging options. Consult our website for dimensional drawings of parts. If you have questions on parts or availability, please contact Tenn-Tex Plastics before ordering.