



TENN-TEX PLASTICS INC.

MADE IN THE USA

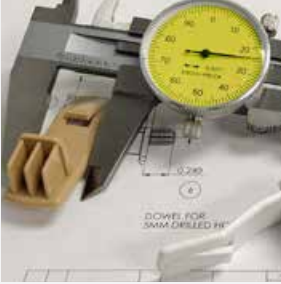
Product Catalog

Making Manufacturing Easier

STANDARDS ARE DEVELOPED HERE

Tenn-Tex Plastics, Inc. is a leading manufacturer of high-quality injection-molded plastic parts. Focusing in product development and customer service, Tenn-Tex Plastics specializes in furniture, kitchen & bath cabinetry, and hardware distribution markets. Committed to designing and manufacturing superior products, Tenn-Tex Plastics offers competitive prices and provides a service of excellence.

Trial applications are highly recommended. Some part numbers may have quantity restrictions or additional packaging options. Consult our website for dimensional drawings of parts. If you have questions on parts or availability, please contact Tenn-Tex Plastics before ordering.



CUSTOM ENGINEERING

MAKE THE PERFECT PART

We've built our legacy in the kitchen cabinet industry, and now, we're poised to redefine success across diverse sectors. With a commitment to innovation, precision, and cost-effectiveness, we're your trusted partner in crafting custom injection molded plastics parts that drive industries forward. Join us on this journey and discover how we can help you achieve more than you ever imagined.

No matter the sector you operate in, our injection molded plastics redefine the way you create, simplifying your manufacturing processes while delivering top-tier quality. Let us turn your ideas into reality, making innovation and savings the cornerstones of your success.



RAPID PROTOTYPING

With the help of our Rapid prototyping machine using the latest Breakaway Support Technology, we can provide you with accurate and strong proto-types within days. Using a proven ABS material, such proto-types can be used to make prudent, final decisions by Engineering, Marketing and Sales.



ENGINEERING

Let Tenn-Tex help you take your idea to the next level. Our Engineers will work with your concept art to develop CAD drawings and then build 3D models allowing a true visual of your design.



TESTING

We cycle test all of our brackets to meet or exceed BHMA/KCMA standards, or to the slide manufacturers requirements. Our testing equipment and methods can help to establish and exceed your performance goals.

We simplify the manufacturing process, ensuring your furniture creations come to life seamlessly with longevity and functionality that endures. Let us transform your furniture line into a masterpiece of innovation and savings.

Partner with us and unlock a new era of customized excellence that leaves a mark on every industry we touch. Our expertise in crafting bespoke custom parts transcends industries, bringing you a tailored approach to cost savings and manufacturing efficiency.



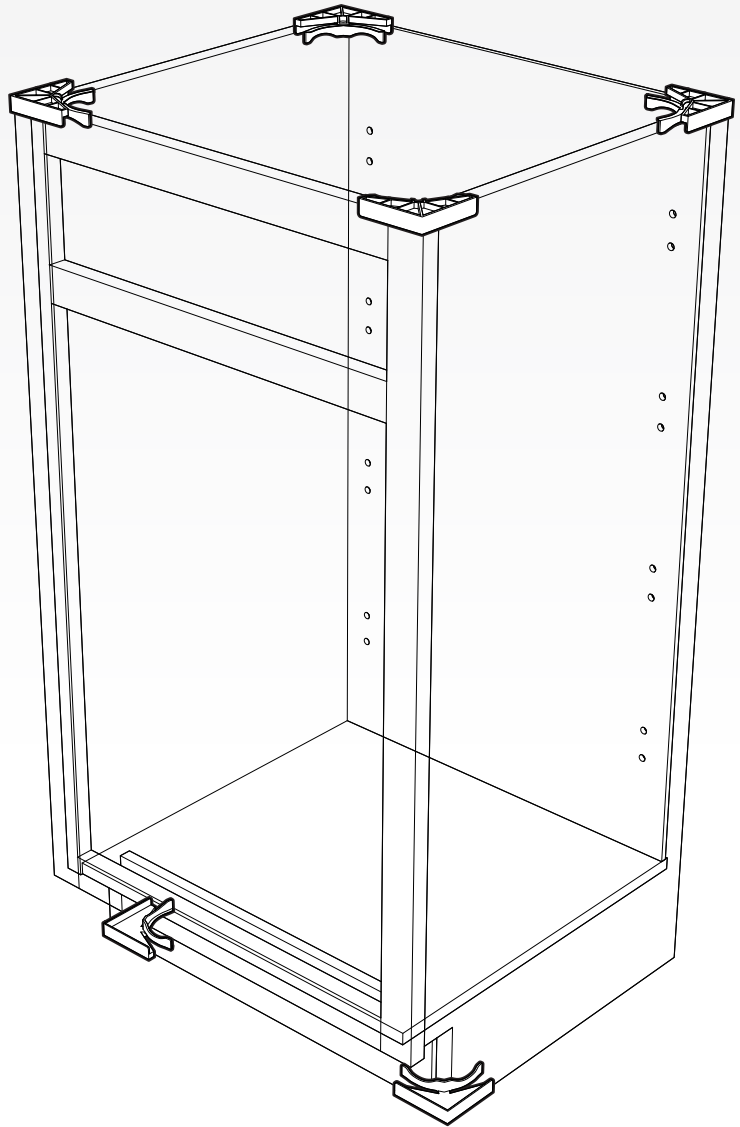
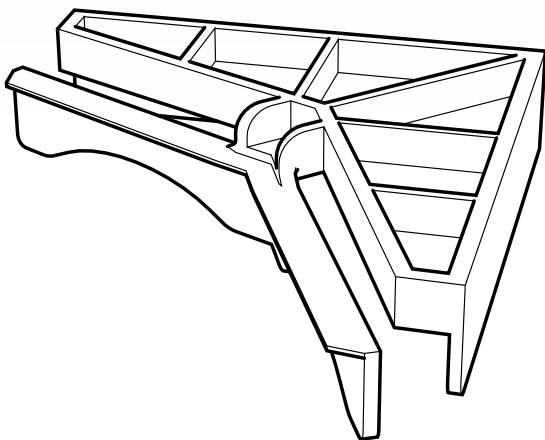


CORNER PROTECTORS

SAFEGUARD YOUR PRODUCTS

Protecting the corners of your Kitchen Cabinets is a high priority for all manufacturers. Our Corner Protectors offer quick and easy installation on both wall and base cabinets. They will fit multiple side panel thicknesses.

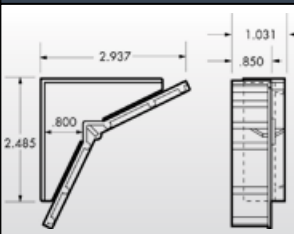
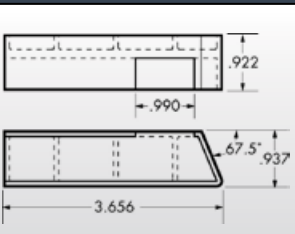
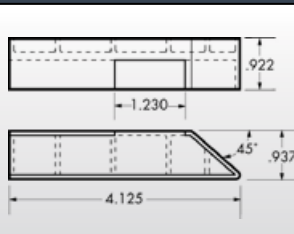
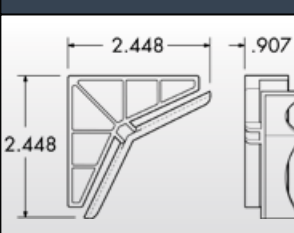
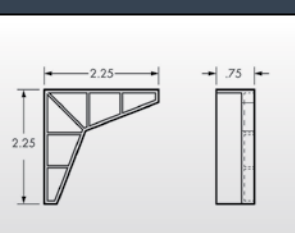
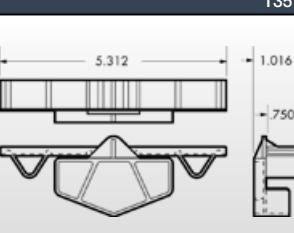
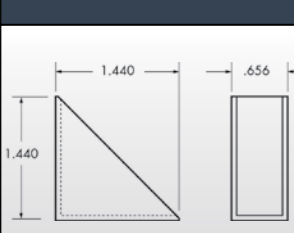
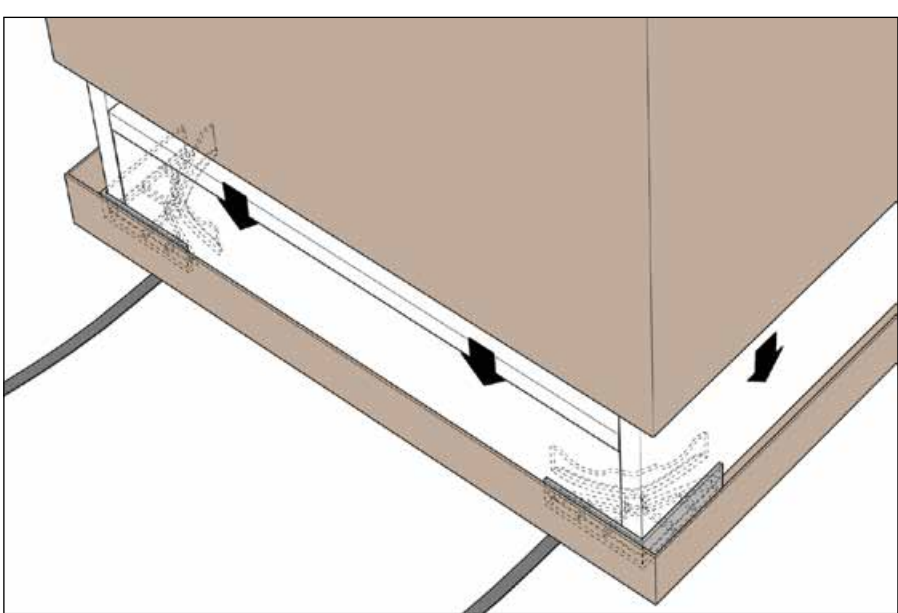
We offer Corner Protectors for 90-Degree, 22.5-degree and 45-degree applications. We also offer a 135-degree application for your Lazy Susan Cabinets. If you are looking for extra protection for the corners of your cabinets, Tenn-Tex has the solution.



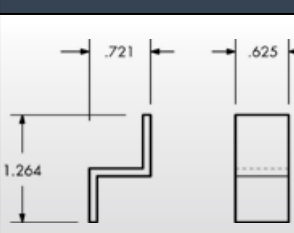
All materials ©2024 TennTex Plastics • We recommend test fitting to ensure proper function • Products in this brochure are Patented or Patent Pending.



CORNER PROTECTORS

<p>T-430-02 Corner Protector 2.50"</p>  <p>Box wt 25 lbs Box qty 750 Pallet 9,000</p> <p>Colors: Black T-430-02</p>	<p>T-431 Corner Protector - Handed 22.5° Corner</p>  <p>Box wt 11 lbs Box qty 750 Pallet 5,250</p> <p>Colors: Black T-431-03 Left Black T-431-04 Right</p>	<p>T-432 Corner Protector - Handed 45° Corner</p>  <p>Box wt 11 lbs Box qty 750 Pallet 5,250</p> <p>Colors: Black T-432-03 Left Black T-432-04 Right</p>
<p>T-433-02 Corner Protector 2.25"</p>  <p>Box wt 25 lbs Box qty 1,200 Pallet 14,400</p> <p>Colors: Black T-433-02</p>	<p>T-434-02 Corner Protector without wings, 2.25"</p>  <p>Box wt 28 lbs Box qty 1,800 Pallet 32,400</p> <p>Colors: Black T-434-02</p>	<p>T-435-02 Corner Protector 135° Lazy Susan Cabinet</p>  <p>Box wt 18 lbs Box qty 500 Pallet 9,000</p> <p>Colors: Black T-435-02</p>
<p>T-444 Corner Protector for 1/2" Frames</p>  <p>Box wt 15 lbs Box qty 1,800 Pallet 57,600</p> <p>Colors: Natural T-444</p>		

SHELF HOLD DOWN CLIP

<p>T-182 Z Clip Shelf Hold Down</p>  <p>Box wt 16 lbs Box qty 3,000</p> <p>Colors: Natural T-182</p>

Trial applications are highly recommended. Some part numbers may have quantity restrictions or additional packaging options. Consult our website for dimensional drawings of parts. If you have questions on parts or availability, please contact Tenn-Tex Plastics before ordering.

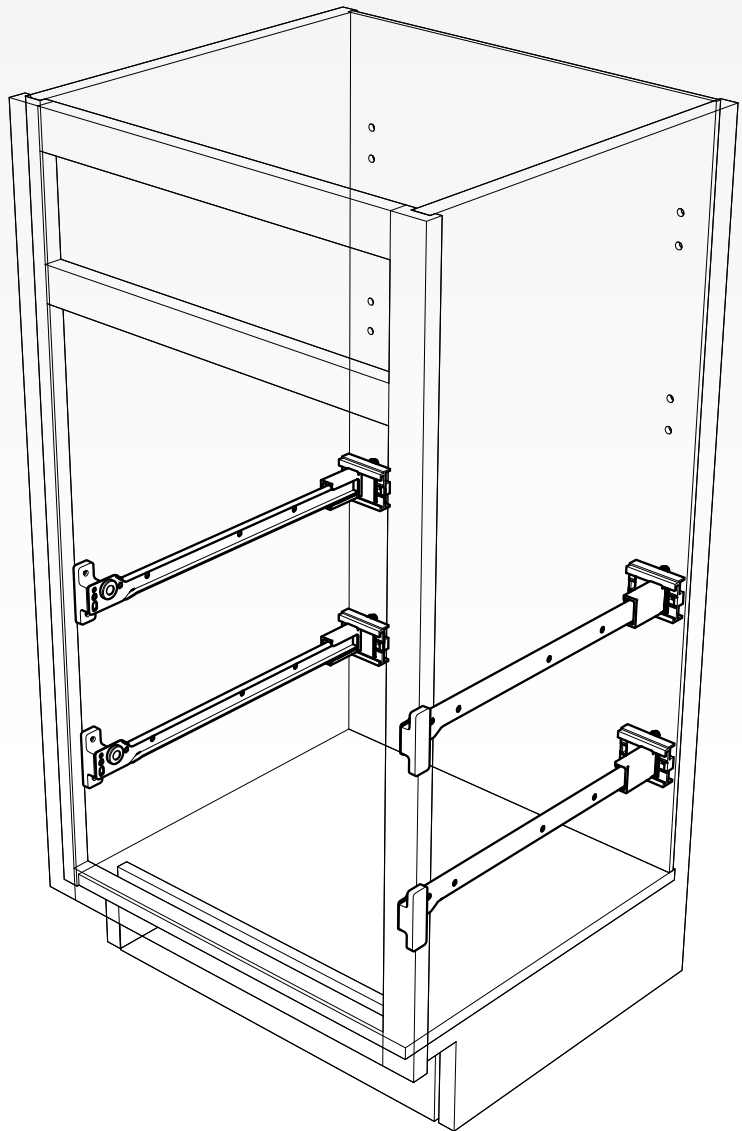
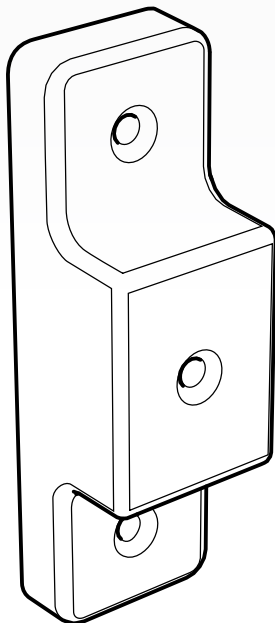


SPACERS

PUTTING HARDWARE IN ITS PLACE

Designers and consumers today are looking to utilize all the space available in their cabinets and are demanding more options like Roll-Out Trays for Pantries and Base Cabinets. Adding these options has created a larger demand for customized spacers.


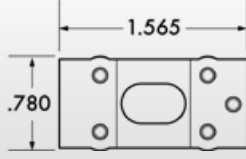
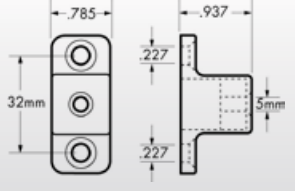
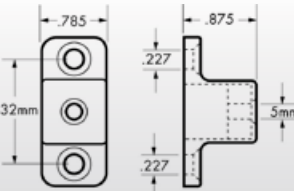
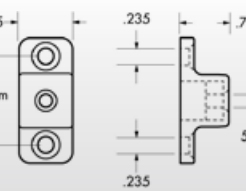
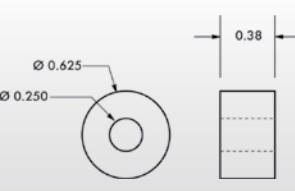
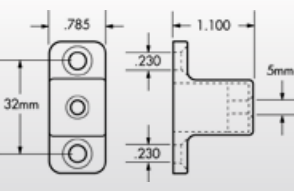
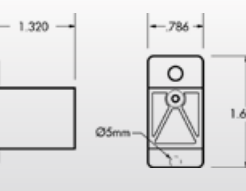
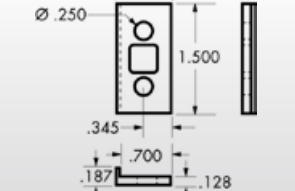
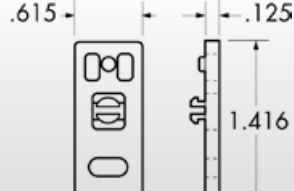
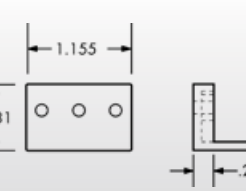

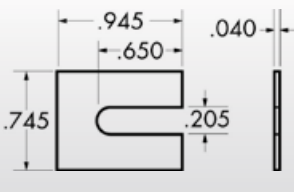
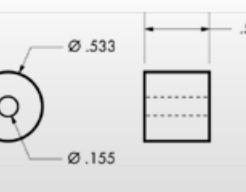
Tenn-Tex Plastics supplies a variety of spacers for Hinges, Side Mount and Undermount Drawer Slides. We offer you The Simple Solution for your Spacer Applications.



All materials ©2024 TennTex Plastics • We recommend test fitting to ensure proper function • Products in this brochure are Patented or Patent Pending.



SPACERS

<p>C-068 Spacer .125"</p>  <p>Box wt 4 lbs Box qty 1,000 Pallet 48,000</p> <p>Colors: Natural C-068</p>	<p>C-073 Hinge Spacer .125"</p>  <p>Box wt 13 lbs Box qty 3,000 Pallet 96,000</p> <p>Colors: Natural C-073</p>	<p>C-080 Tray Spacer .937"</p>  <p>Box wt 23 lbs Box qty 1,500 Pallet 48,000</p> <p>Colors: Vanilla C-080 Natural C-080-01</p> <p>Also Available in B-109 (4 per bag with 12 euro screws)</p>
<p>C-095 Tray Spacer .875"</p>  <p>Box wt 21 lbs Box qty 1,500 Pallet 48,000</p> <p>Colors: Beige C-095</p> <p>Also Available in B-108 (4 per bag with 12 euro screws)</p>	<p>C-123 Tray Spacer .720"</p>  <p>Box wt 21 lbs Box qty 1,500 Pallet 48,000</p> <p>Colors: Natural C-123</p> <p>Also Available in B-110 (4 per bag with 12 euro screws)</p>	<p>C-139 Spacer .375"</p>  <p>Box wt 6 lbs Box qty 1,000</p> <p>Colors: Natural C-139</p>
<p>C-147 Tray Spacer 1.1"</p>  <p>Box wt 22 lbs Box qty 1,500 Pallet 48,000</p> <p>Colors: Beige C-147</p>	<p>C-217 Tray Spacer .720"</p>  <p>Box wt 27 lbs Box qty 1,000 Pallet 32,000</p> <p>Colors: Natural C-217 White C-217-01</p>	<p>C-218-01 Drawer Slide Spacer .125" Thickness</p>  <p>Box wt 35 lbs Box qty 7,000 Pallet 224,000</p> <p>Colors: White C-218-01</p>
<p>C-223-01 Drawer Slide Spacer .125" Thickness</p>  <p>Box wt 22 lbs Box qty 6,000 Pallet 192,000</p> <p>Colors: White C-223-01</p>	<p>C-244 Rollout Tray Spacer Center Stile</p>  <p>Box wt 24 lbs Box qty 2,000 Pallet 42,000</p> <p>Colors: White C-244</p>	<p>C-255 Undermount Slide Spacer</p>  <p>Box wt 19 lbs Box qty 1,800 Pallet 135,000</p> <p>Colors: Natural C-255</p>
<p>T-110-00 Hinge Spacer 1mm</p>  <p>Box wt 7 lbs Box qty 5,000 Pallet 375,000</p> <p>Colors: Natural T-110-01</p> <p>Also Available in B-415 (4 per bag) B-480 (10 per bag)</p>	<p>T-193 Spacer 1/2"</p>  <p>Box wt 19 lbs Box qty 5,000 Pallet 150,000</p> <p>Colors: Natural T-193</p>	

Trial applications are highly recommended. Some part numbers may have quantity restrictions or additional packaging options. Consult our website for dimensional drawings of parts. If you have questions on parts or availability, please contact Tenn-Tex Plastics before ordering.

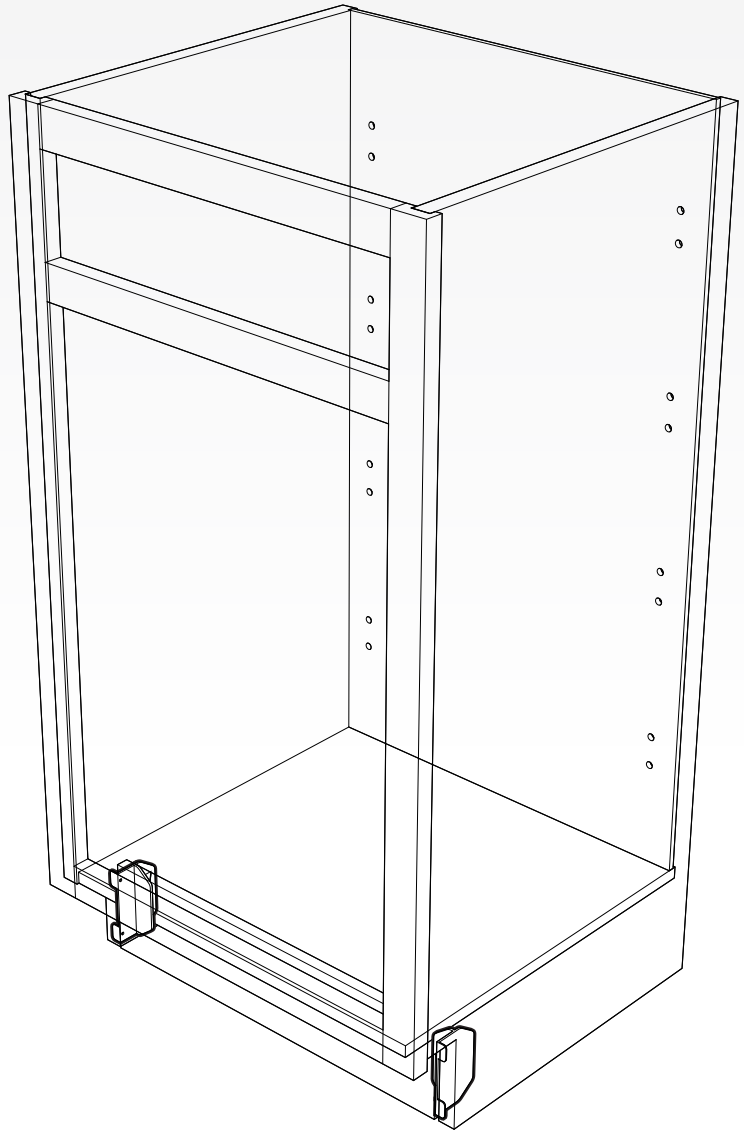
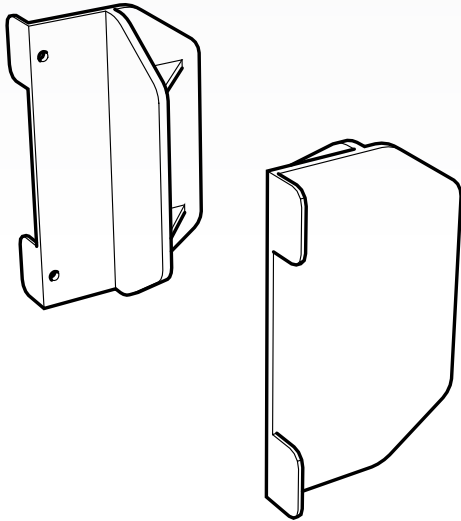


TOE KICK CONNECTORS

SAVE ASSEMBLY TIME

Tenn-Tex Plastics has designed The Simple Solution for Toe Kick Applications. Toe Kick Brackets stabilize and strengthen the Toe Kick Area of the cabinet. Installing the brackets is a straightforward process.

First, staple the Toe Kick Brackets to the bottom of the cabinet structure on the left and right side, then insert the Toe Kick Board and staple to the bracket. Tenn-Tex Plastics manufactures these brackets in 4- and 4.5-inch heights.

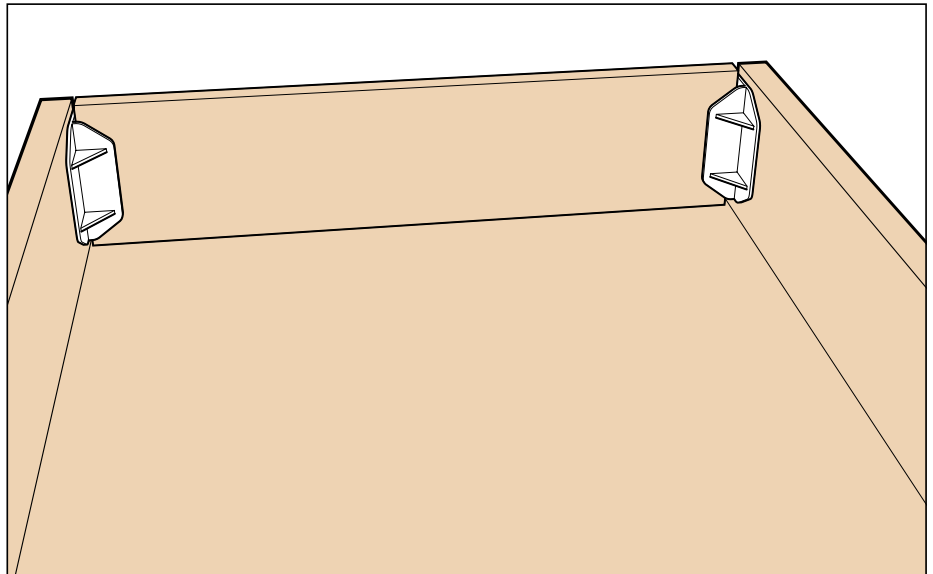


All materials ©2024 TennTex Plastics • We recommend test fitting to ensure proper function • Products in this brochure are Patented or Patent Pending.



TOE KICK CONNECTORS

T-310		Toe Kick for .500" Material
	Box wt	13 lbs
	Box qty	750
	Pallet	24,000
Colors:		T-310
Natural		
T-312		Toe Kick, with Tabs for .535" Material
	Box wt	13 lbs
	Box qty	700
	Pallet	22,400
Colors:		T-312
Natural		

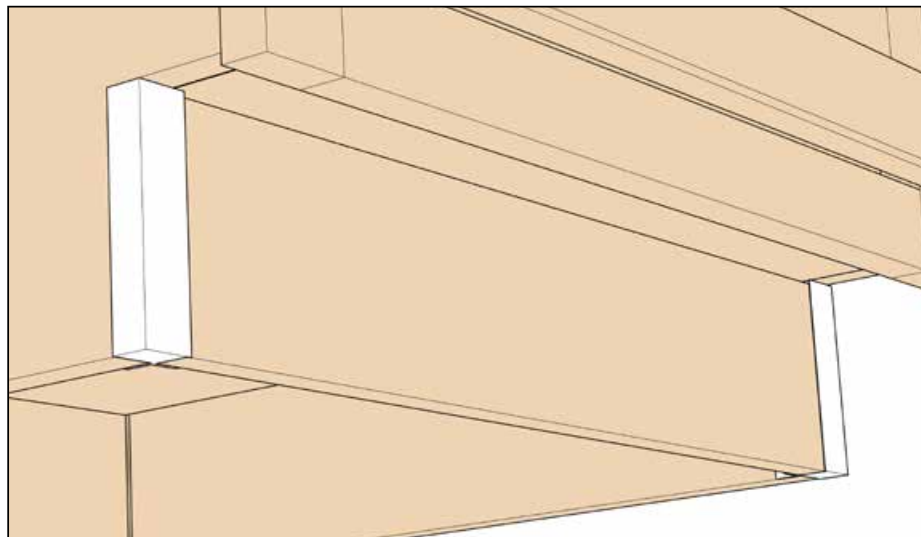


TOE KICK END CAP CONNECTORS

T-420		4" Overlay Toe Kick for .500" Material
	Box wt	32 lbs
	Box qty	650
	Pallet	11,700
Colors:		T-420
Black		T-420-01
White		T-420-02
Tan		

T-421		4" Overlay Toe Kick, Rounded for .500" Material
	Box wt	31 lbs
	Box qty	650
	Pallet	11,700
Colors:		T-421
Black		T-421-01
White		

T-422		4" Inset Toe Kick for .500" Material
	Box wt	18 lbs
	Box qty	600
	Pallet	19,200
Colors:		T-422
Black		T-422-01
White		
Natural		T-422-02



T-423		4" Inset Toe Kick for .625" Material
	Box wt	18 lbs
	Box qty	600
	Pallet	19,200
Colors:		T-423
Black		T-423-01
White		
Natural		T-423-02

T-424		4.5" Inset Toe Kick for .625" Material
	Box wt	18 lbs
	Box qty	600
	Pallet	19,200
Colors:		T-424
Black		T-424-01
White		
Natural		T-424-02

Trial applications are highly recommended. Some part numbers may have quantity restrictions or additional packaging options. Consult our website for dimensional drawings of parts. If you have questions on parts or availability, please contact Tenn-Tex Plastics before ordering.

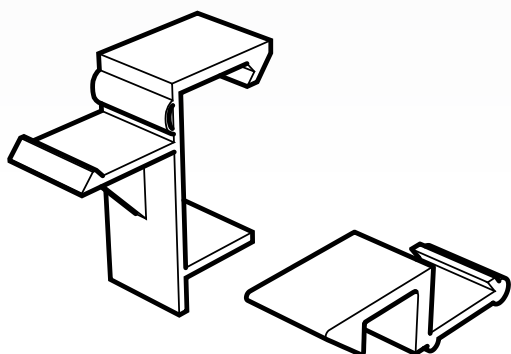
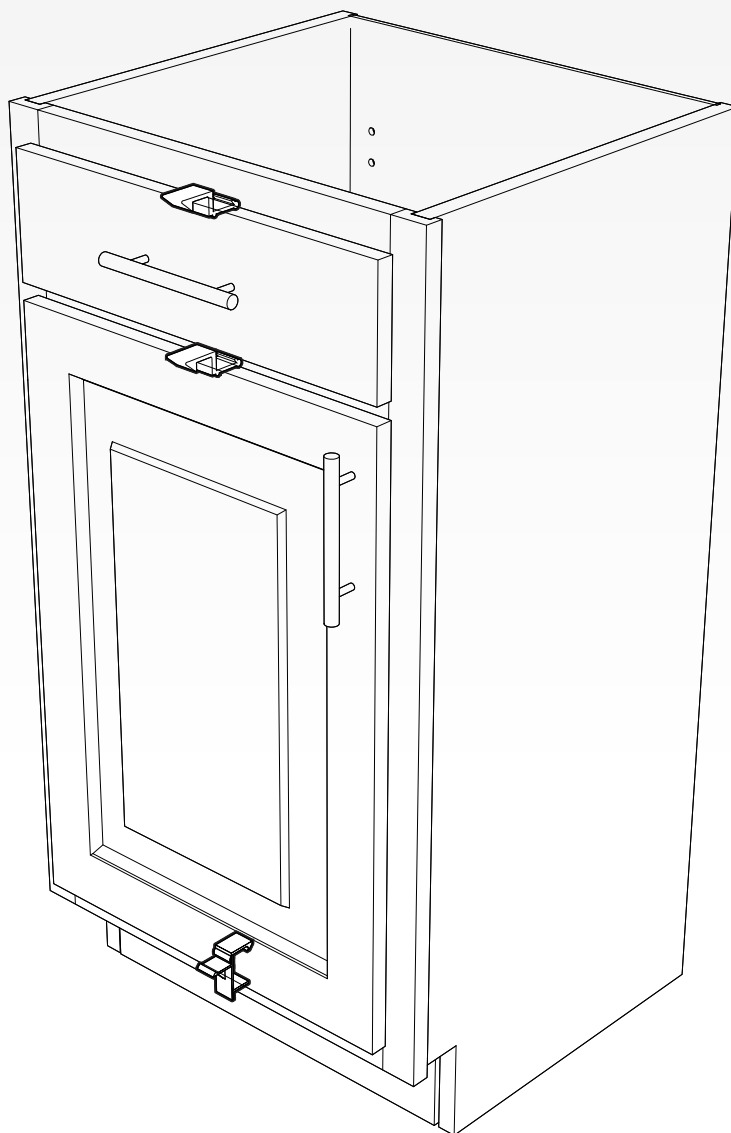


SHIPPING CLIPS

PREVENT COMMON SHIPPING PROBLEMS

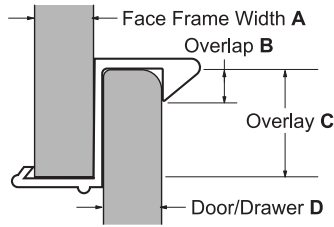
Shipping Clips for Face-Frame Cabinets efficiently hold doors and drawers in a closed position and support the door during the shipping process.

We offer designs for various door profiles and overlays. Please contact Tenn-Tex Plastics for The Simple Solutions for your Shipping Clip Applications.



All materials ©2024 TennTex Plastics • We recommend test fitting to ensure proper function • Products in this brochure are Patented or Patent Pending.

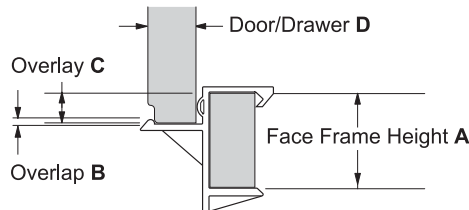




DOOR & DRAWER SHIPPING CLIPS

Prevents Door & Drawer Fronts From Opening During Shipping

PART #	DESCRIPTION	BOX QTY	BOX WEIGHT		A FACE FRAME WIDTH	B OVERLAP	C OVERLAY	D DOOR/ DRAWER
T-170	Door & Drawer Shipping Clip	2500	18	decimal	0.750	0.400	1.360	0.750
				fraction	3/4"	13/32"	1 23/64"	3/4"
T-171	Door & Drawer Shipping Clip, Vanilla	2500	18	decimal	0.750	0.265	1.360	0.750
				fraction	3/4"	17/64"	1 23/64"	3/4"
T-172	Door & Drawer Shipping Clip	2500	18	decimal	0.750	0.265	1.360	0.660
				fraction	3/4"	17/64"	1 23/64"	21/32"
T-173	Door & Drawer Shipping Clip, Brown	3500	16	decimal	0.750	0.218	0.328	0.656
				fraction	3/4"	7/32"	21/64"	21/32"
T-174	Door & Drawer Shipping Clip, Natural Oak	3000	12	decimal	0.750	0.265	0.656	0.656
				fraction	3/4"	17/64"	21/32"	21/32"
T-175	Door & Drawer Shipping Clip	3000	16	decimal	0.750	0.281	0.500	0.656
				fraction	3/4"	9/32"	1/2"	21/32"
T-177	Door & Drawer Shipping Clip	2500	17	decimal	0.750	0.281	1.250	
				fraction	3/4"	9/32"	1 1/4"	3/4"
T-178	Door & Drawer Shipping Clip	2500	18	decimal	0.750	0.265	1.540	0.656
				fraction	3/4"	17/64"	1 35/64"	21/32"
T-179	Door & Drawer Shipping Clip	2500	16	decimal	0.750	0.265	0.906	0.656
				fraction	3/4"	17/64"	29/32"	21/32"
T-180	Wrap Around Shipping Clip	2000	27	decimal	0.750	0.265	0.218	VARIABLE
				fraction	3/4"	17/64"	1/32"	VARIABLE
T-181	Door & Drawer Shipping Clip, Greeb	3500	22	decimal	0.750	0.250	0.328	0.750
				fraction	3/4"	1/4"	21/64"	3/4"
T-183	Door Clip (.75 Width) Fits 1 5/8" Face Frame	1300	16	decimal	1.625	N/A	N/A	N/A
				fraction	1 5/8"	N/A	N/A	N/A



OVERLAY DOOR/DRAWER SUPPORT & SHIPPING CLIP

Provides Support & Prevents Door & Drawer Fronts From Opening During Shipping

PART #	DESCRIPTION	BOX QTY	BOX WEIGHT		A FACE FRAME WIDTH	B OVERLAP	C OVERLAY	D DOOR/ DRAWER
T-892	1/4" Overlay Door Support/Shipping Clip, White	2000	28	decimal	1.625	0.060	1.327	0.750
				fraction	1 5/8"	1/16"	1 15/16"	3/4"
T-893	5/16" Overlay Door Support/Shipping Clip, Yellow	2000	28	decimal	1.625	0.060	0.375	0.750
				fraction	1 5/8"	1/16"	3/8"	3/4"
T-894	1/2" Overlay Door Support/Shipping Clip, Natural	2000	28	decimal	1.625	0.060	0.576	0.750
				fraction	1 5/8"	1/16"	9/16"	3/4"
T-896	1/2" Overlay Door Support/Shipping Clip, Beige	2500	33	decimal	1.500	0.060	0.500	0.750
				fraction	1 1/2"	1/16"	1/2"	3/4"
T-897	1 1/4" Overlay Door Support/Shipping Clip, Black	2500	33	decimal	1.500	0.060	1.250	0.750
				fraction	1 1/2"	1/16"	1 1/4"	3/4"
T-898	1 1/4" Overlay Door Support/Shipping Clip, Black	2500	33	decimal	1.500	0.175	1.250	0.750
				fraction	1 1/2"	11/64"	1 1/4"	3/4"

Trial applications are highly recommended. Some part numbers may have quantity restrictions or additional packaging options. Consult our website for dimensional drawings of parts. If you have questions on parts or availability, please contact Tenn-Tex Plastics before ordering.

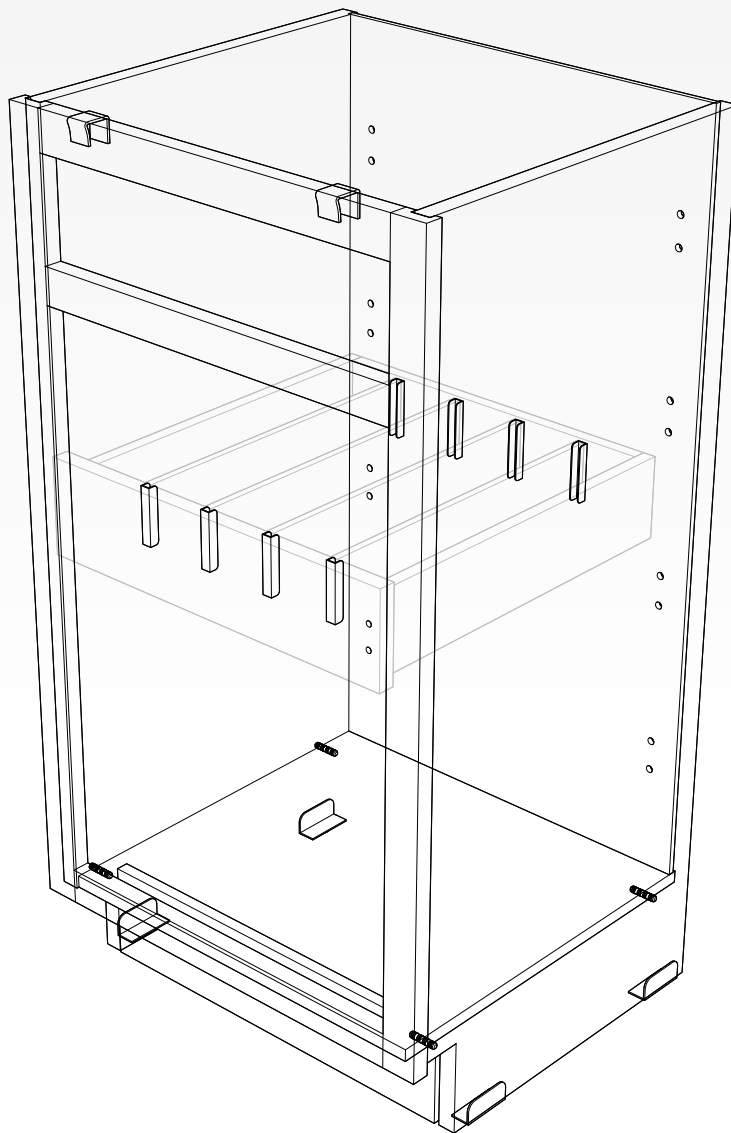


MISCELLANEOUS

EVERYTHING ELSE FOR YOUR CABINETS

Most products manufactured by Tenn-Tex Plastics are related to the Kitchen Cabinet Industry. Our miscellaneous products include Drawer Divider Clips, and Pilaster Brackets for rollouts for the Manufactured Housing Industry.

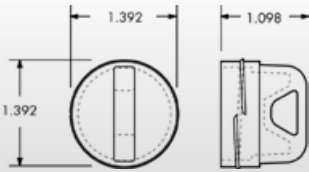
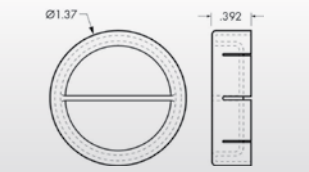
Also included are Paint Line Plugs for Finishing Cabinet Doors, Foam Sheet Clips for protecting finished cabinets and a special dowel for assembling Medicine Cabinets. If you have a specialty application, please contact us to see if we can develop The Simple Solution.

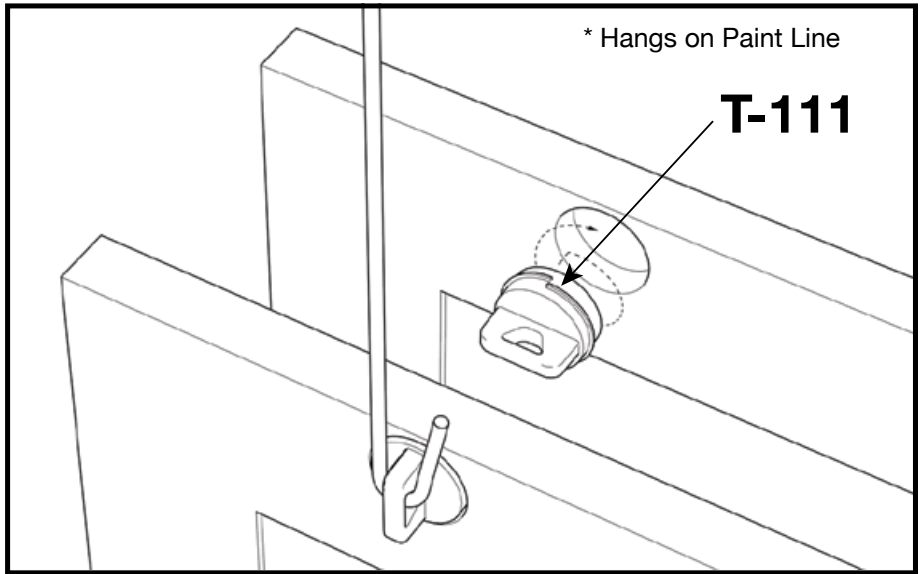


All materials ©2024 TennTex Plastics • We recommend test fitting to ensure proper function • Products in this brochure are Patented or Patent Pending.

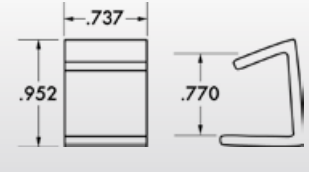
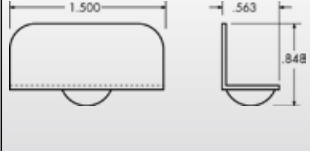



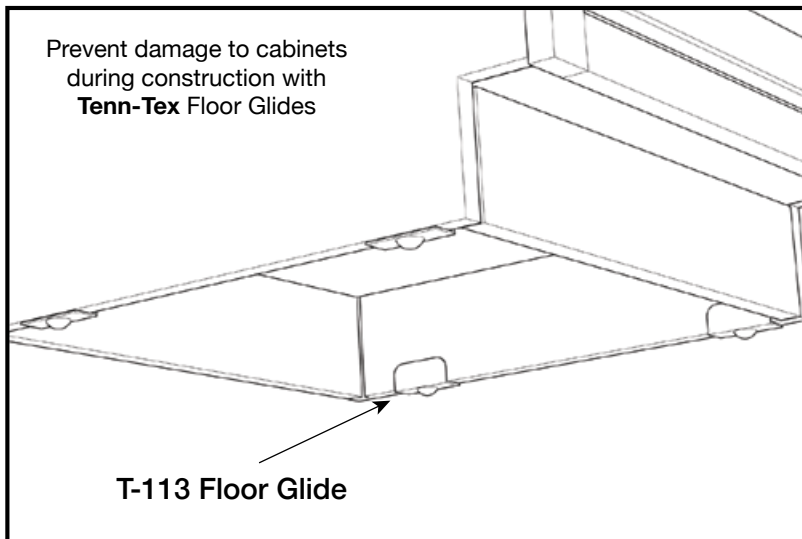
PAINT LINE PLUGS

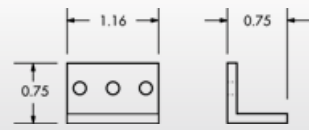
T-111		Paint Line Plug 35mm	<i>Box wt</i> 19 lbs <i>Box qty</i> 1000 <i>Pallet</i> 32,000
		Colors: Natural T-111	
T-115		Flat Paint Line Plug 35mm	<i>Box wt</i> 8 lbs <i>Box qty</i> 1,000
		Colors: Natural T-115	

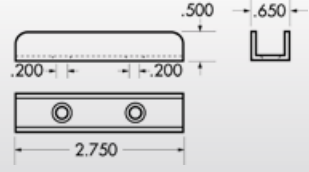


MAKE MANUFACTURING EASIER

T-112		Foam Sheet Clip 3/4" material	<i>Box wt</i> 25 lbs <i>Box qty</i> 5,000 <i>Pallet</i> 90,000
		Colors: Natural T-112	
T-113		Floor Glide	<i>Box wt</i> 10 lbs <i>Box qty</i> 2,000 <i>Pallet</i> 150,000
		Colors: Natural T-113	
T-130		Dowel .248" Diameter	<i>Box wt</i> 20 lbs <i>Box qty</i> 9,500 <i>Pallet</i> 427,500
		Colors: Black T-130	



C-086		Right Angle Bracket 90 Degrees	<i>Box wt</i> 32 lbs <i>Box qty</i> 4,500 <i>Pallet</i> 144,000
		Colors: White C-086 Beige C-086-01	

C-149		Drawer Divider Bracket 1/2" Material	<i>Box wt</i> 9 lbs <i>Box qty</i> 500 <i>Pallet</i> 37,500
		Colors: Clear C-149 Clear* C-149-01 <small>*with adhesive tape</small>	

Trial applications are highly recommended. Some part numbers may have quantity restrictions or additional packaging options. Consult our website for dimensional drawings of parts. If you have questions on parts or availability, please contact Tenn-Tex Plastics before ordering.



KITTING AND BAGGING

THE RIGHT PARTS AT YOUR FINGERTIPS

Sometimes you need to provide your customer with the appropriate hardware to set up their cabinets their way, or you need to provide installers with everything they need without having to look through a bunch of different part boxes. A well-planned out kit or bag can save you time and money, and save your customers headaches and aggravation.

Whatever your needs may be, our automated poly-bagging equipment can handle a variety of combinations of plastic molded parts and/or hardware items such as screws, bolts or other fasteners. We can mix and match any of our products in many packaging combinations.

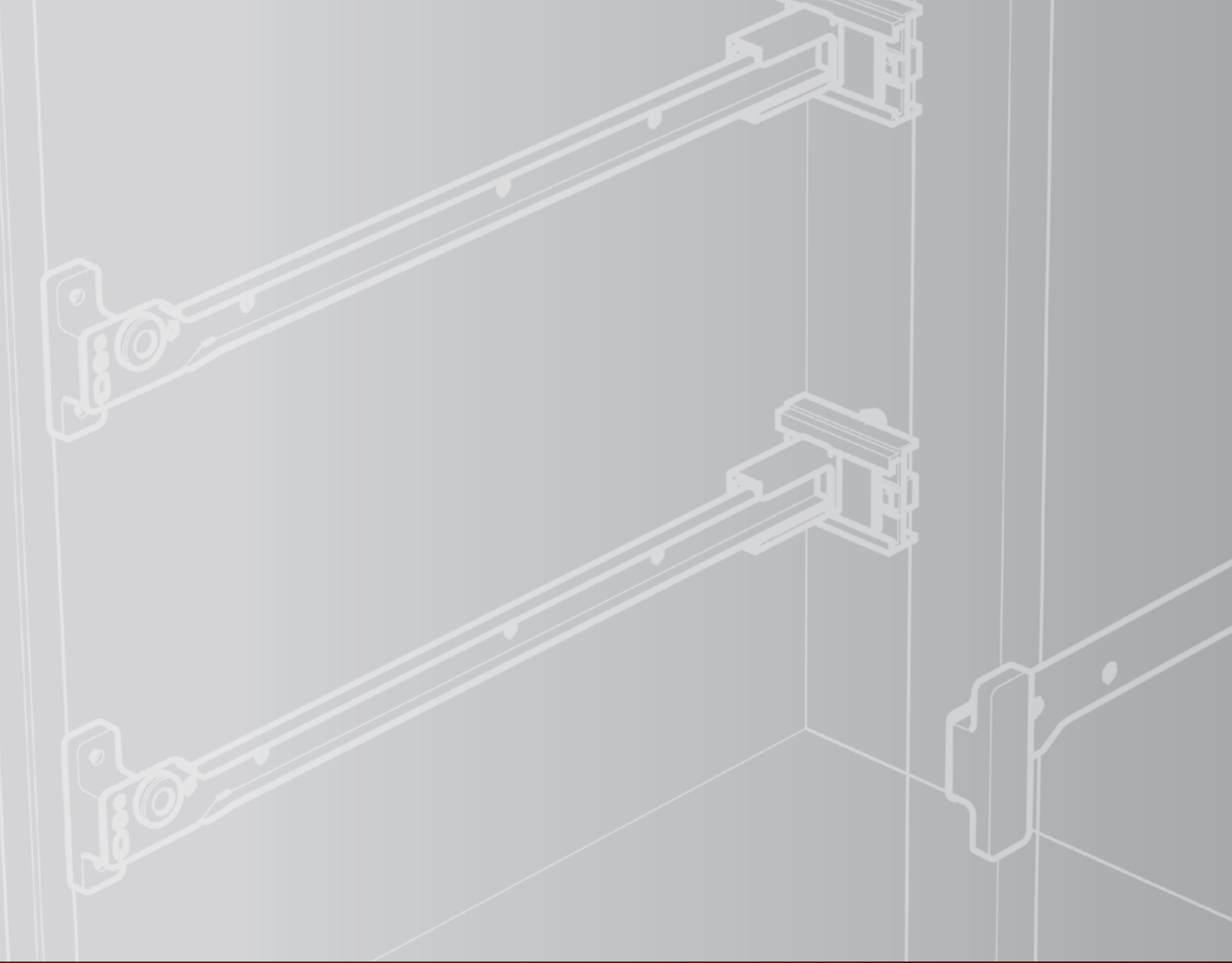


Our new kitting machine makes bagging and kitting a much more automated process, increasing efficiency and productivity.

We can combine plastic parts, hardware, paper instructions or scannable QR codes labels printed directly on the bag. We can provide private labels for the kits so you can distribute them under your own brand.

Contact us for a quote for your kitting project today!





Get in Touch.



sales@tenntex.com



tenntex.com



800-Tenn-Text

Trial applications are highly recommended. Some part numbers may have quantity restrictions or additional packaging options. Consult our website for dimensional drawings of parts. If you have questions on parts or availability, please contact Tenn-Text Plastics before ordering.



Scan here
for more
information!



TENN-TEX PLASTICS INC.

MADE IN THE USA

8011 NATIONAL SERVICE RD.,
COLFAX, NC 27235-9762

SALES@TENNTEX.COM | TENNTEX.COM | 800-TENN-TEX