



# TENN-TEX PLASTICS INC.

MADE IN THE USA

# Product Catalog



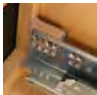
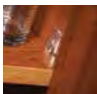
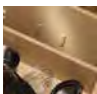
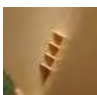

*Making Your Kitchens Better*

# STANDARDS ARE DEVELOPED HERE

Tenn-Tex Plastics, Inc. is a leading manufacturer of high-quality injection-molded plastic parts. Focusing in product development and customer service, Tenn-Tex Plastics specializes in furniture, kitchen & bath cabinetry, and hardware distribution markets. Committed to designing and manufacturing superior products, Tenn-Tex Plastics offers competitive prices and provides a service of excellence.

Trial applications are highly recommended. Some part numbers may have quantity restrictions or additional packaging options. Consult our website for dimensional drawings of parts. If you have questions on parts or availability, please contact Tenn-Tex Plastics before ordering.

# CONTENTS

	<b>BRACKET SOLUTIONS.....4</b> THE SAME DRILL PATTERN FOR A VARIETY OF SLIDES
	<b>UNDERMOUNT BRACKETS.....6</b> SIMPLIFYING INSTALLATION FOR UNDERMOUNT SLIDES
	<b>INSET BRACKETS.....8</b> ADJUSTABILITY FOR INSET DRAWERS
	<b>QUIKTRAY ROLLOUT SYSTEM.....11</b> EASY INSTALLATION • TOOL FREE ADJUSTABILITY • DURABLE
	<b>SHELF SUPPORTS.....16</b> VARIETY WITH CONSISTENT QUALITY
	<b>COVER CAPS.....22</b> USE ONE CABINET BACK WITHOUT EXTRA HOLES
	<b>GLUE &amp; STAPLE BLOCKS .....23</b> SIMPLIFY CABINET CONSTRUCTION
	<b>FALSE FRONT CLIPS .....25</b> MAKING DIFFICULT TASKS EASY
	<b>CORNER BRACES .....28</b> SIMPLIFY CABINET ASSEMBLY
	<b>GLASS DOOR RETAINERS..... 30</b> VARIETY OF PARTS TO FIT YOUR SPECIFICATIONS
	<b>CUSTOM ENGINEERING.....33</b> MAKE THE PERFECT PART
	<b>KITTING AND BAGGING.....34</b> THE RIGHT PARTS AT YOUR FINGERTIPS



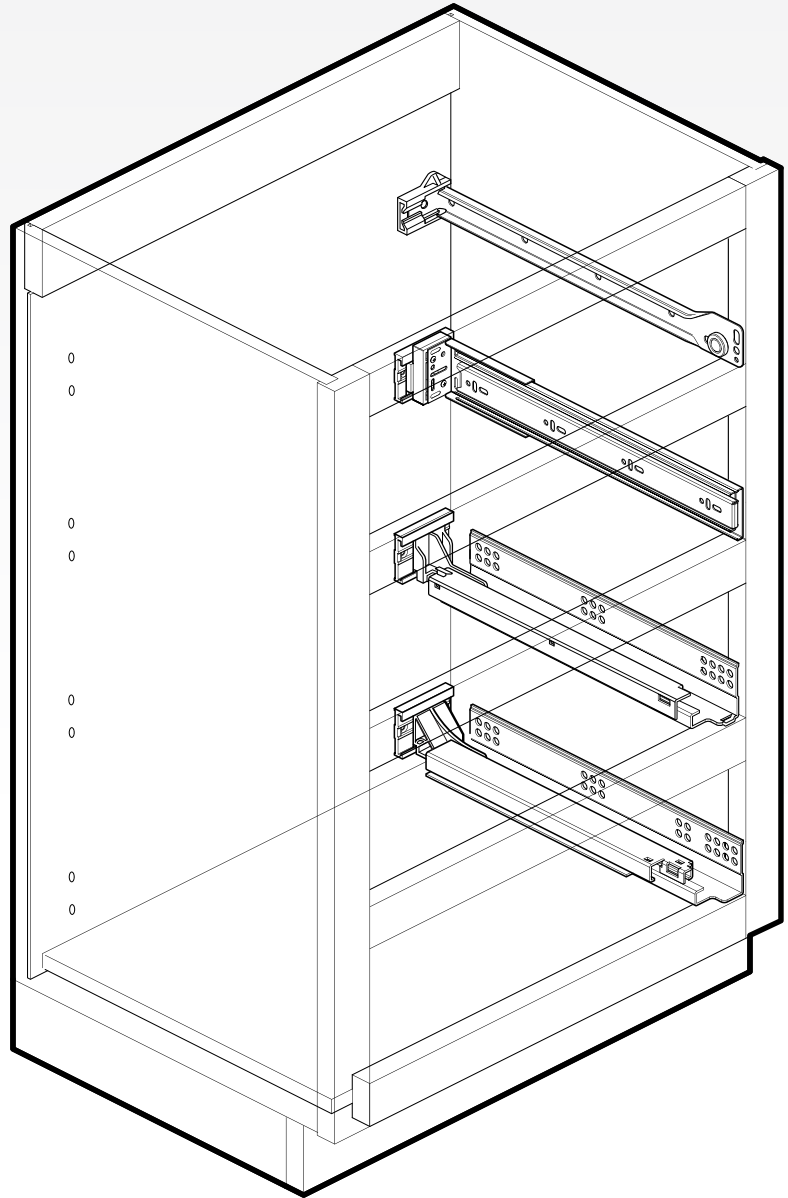
# BRACKET SOLUTIONS

THE SAME DRILL PATTERN FOR A VARIETY OF SLIDES

Our extensive program of rear brackets for drawer slides offers quick simplified installation and provides your drawers with side-to-side adjustment. Using the same drilling patterns you can offer your customers a variety of slides, from Undermount to Ball Bearing to Sidemount. Create Good-Better-Best options for your cabinets.

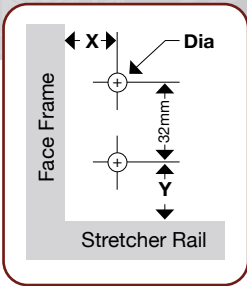
Our patented and expanded drawer slide bracket program offers solutions for most types of drawer slides and cabinet constructions. We fit all the popular drill patterns and most brands of slides. We have products for Peninsula, Inset, and Overlay applications. We have screw on options as well as dowelled versions.

Let our experienced staff and technical support help you select the best bracket solution for your cabinet line. We provide packaging suitable for OEMs and Distributors. All our brackets are tested to meet and exceed KCMA and ANSI/BHMA standards, and made here in the USA.



All materials ©2024 TennTex Plastics • We recommend test fitting to ensure proper function • Products in this brochure are Patented or Patent Pending. The listed slides are trademarked by their manufacturers





### DETERMINE YOUR BRACKET

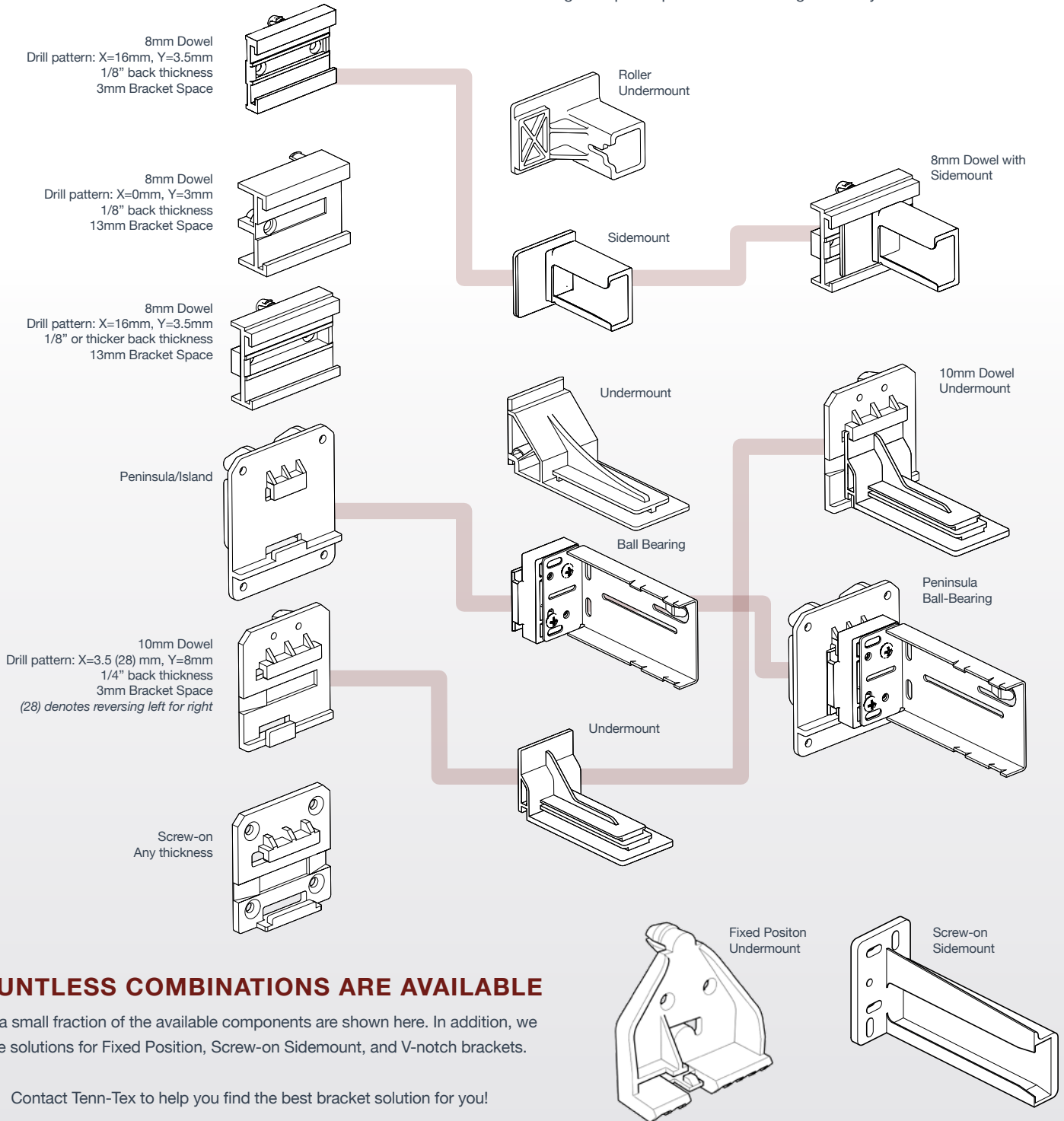
Our back brackets are designed to work with all the most popular bore patterns, back thicknesses and dowel diameters.

### CHOOSE YOUR SLIDE

We make intermediate parts to fit all of the most popular slide brands available. Several incorporate stops to make inserting the slide into cabinet a single simple step.

### FIND YOUR BRACKET SOLUTION

We can assemble a bracket that meets your particular manufacturing needs, and provides adjustability and ease of assembly - saving you money while adding value to your cabinets.



## COUNTLESS COMBINATIONS ARE AVAILABLE

Only a small fraction of the available components are shown here. In addition, we have solutions for Fixed Position, Screw-on Sidemount, and V-notch brackets.

Contact Tenn-Tex to help you find the best bracket solution for you!

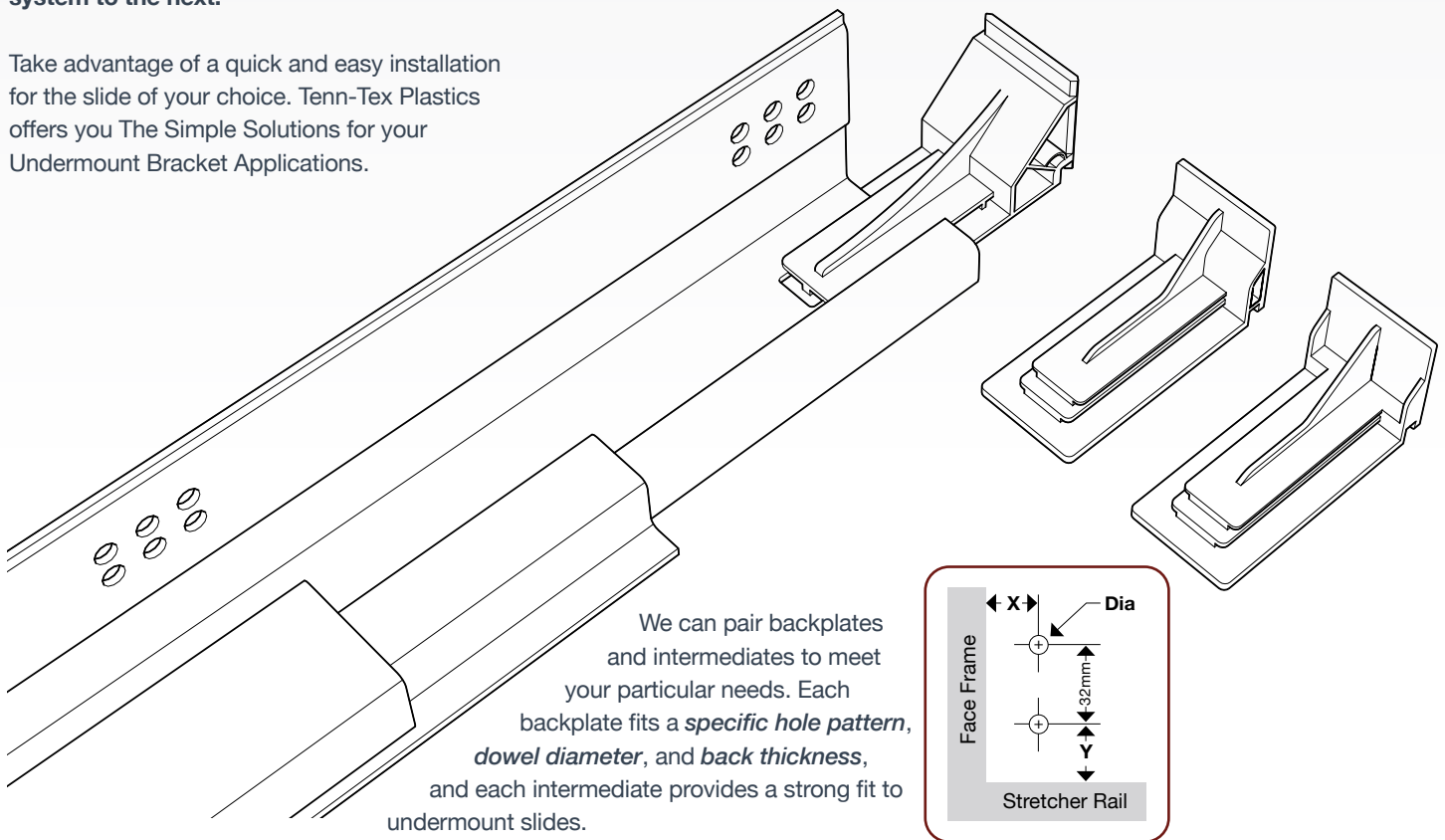


# UNDERMOUNT BRACKETS

SIMPLIFYING INSTALLATION FOR UNDERMOUNT SLIDES

Drawer Slide Manufacturers have met the higher expectations from their customers with Concealed or Undermount Drawer Slides. Tenn-Tex Plastics has developed screw-on or plug-in rear brackets that use the same back drilling patterns as V-Notch Side Mount Slides, ensuring an easy transition from one slide system to the next.

Take advantage of a quick and easy installation for the slide of your choice. Tenn-Tex Plastics offers you The Simple Solutions for your Undermount Bracket Applications.



All materials ©2024 TennTex Plastics • We recommend test fitting to ensure proper function • Products in this brochure are Patented or Patent Pending. The listed slides are trademarked by their manufacturers

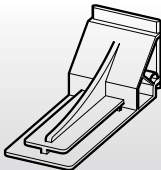
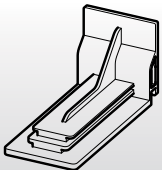
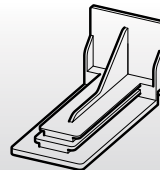
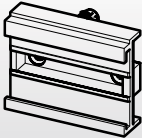
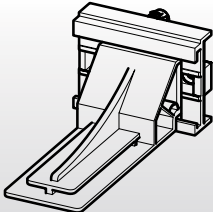
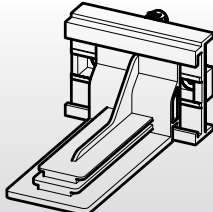
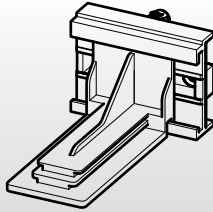
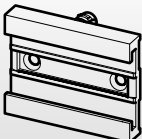
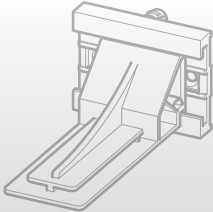
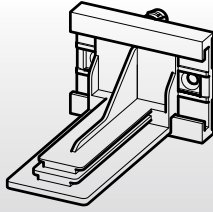
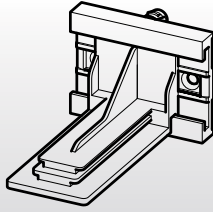
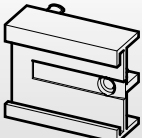
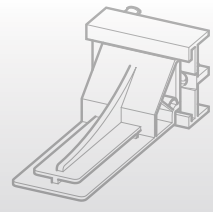
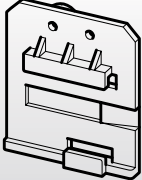
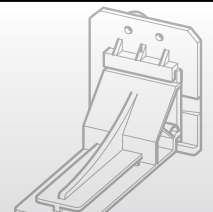
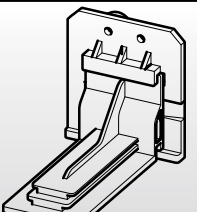
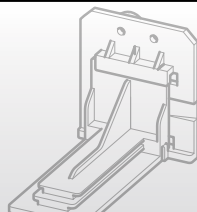
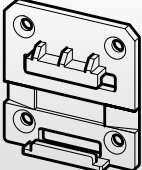
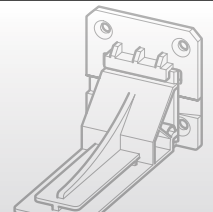
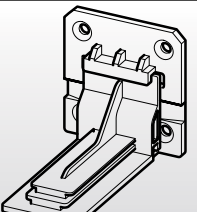
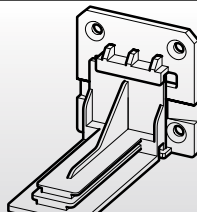


Scan here for more product information.

**INTERMEDIATES**

This is only a small sample of the Intermediates and Backplates available. If you don't see what you need here, give us a call and we will work with you to determine your best solution.

**BACKPLATES**

		<b>C-575</b> Undermount intermediate 32mm stop		<b>C-279</b> Inset Undermount intermediate 8mm stop		<b>C-799</b> Undermount intermediate 8mm stop	
							
<b>C-578</b> Back Bracket Universal		<b>C-595</b> Undermount Bracket		<b>C-586</b> Undermount Bracket		<b>C-702</b> Undermount Bracket	
	Back Thickness 1/8" or more Dowel Diameter 8mm X 16mm Y 3.5mm Stop add 13mm		Box wt 28 lbs Box qty 300 Pallet 4,800		Box wt 26 lbs Box qty 300 Pallet 4,800		Box wt 34 lbs Box qty 400 Pallet 6,400
<b>C-307</b> Back Bracket Universal		<b>C-308</b> Undermount Bracket		<b>C-705</b> Undermount Bracket			
	Back Thickness 1/8" or more Dowel Diameter 8mm Dowel Length 8.63mm X 16mm Y 3.5mm Stop add 5mm				Box wt 28 lbs Box qty 400 Pallet 6,400		Box wt 28 lbs Box qty 400 Pallet 6,400
<b>C-293</b> Back Bracket Handed		<b>C-297</b> Undermount Bracket		<b>C-297</b> Undermount Bracket		<b>C-297</b> Undermount Bracket	
	Back Thickness 1/8" Dowel Diameter 8mm Dowel Length 6.5mm X 0mm Y 3mm Stop add 13mm				Box wt 32 lbs Box qty 400 Pallet 4,800		
<b>C-291</b> Back Bracket Handed		<b>C-283</b> Undermount Bracket		<b>C-283</b> Undermount Bracket		<b>C-283</b> Undermount Bracket	
	Back Thickness 1/4" Dowel Diameter 10mm Dowel Length 14mm X 3.5(28) mm Y 8mm Stop add 3mm				Box wt 29 lbs Box qty 400 Pallet 6,400		
<b>C-274</b> Back Bracket Handed, Screw On		<b>C-280</b> Undermount Bracket		<b>C-280</b> Undermount Bracket		<b>C-816</b> Undermount Bracket	
	Back Thickness any Dowel Diameter N/A Dowel Length N/A X 1.5mm Y 6.5mm Stop add 3mm				Box wt 26 lbs Box qty 400 Pallet 4,800		Box wt 26 lbs Box qty 400 Pallet 4,800

Trial applications are highly recommended. Some part numbers may have quantity restrictions or additional packaging options. Consult our website for dimensional drawings of parts. If you have questions on parts or availability, please contact Tenn-Tex Plastics before ordering.

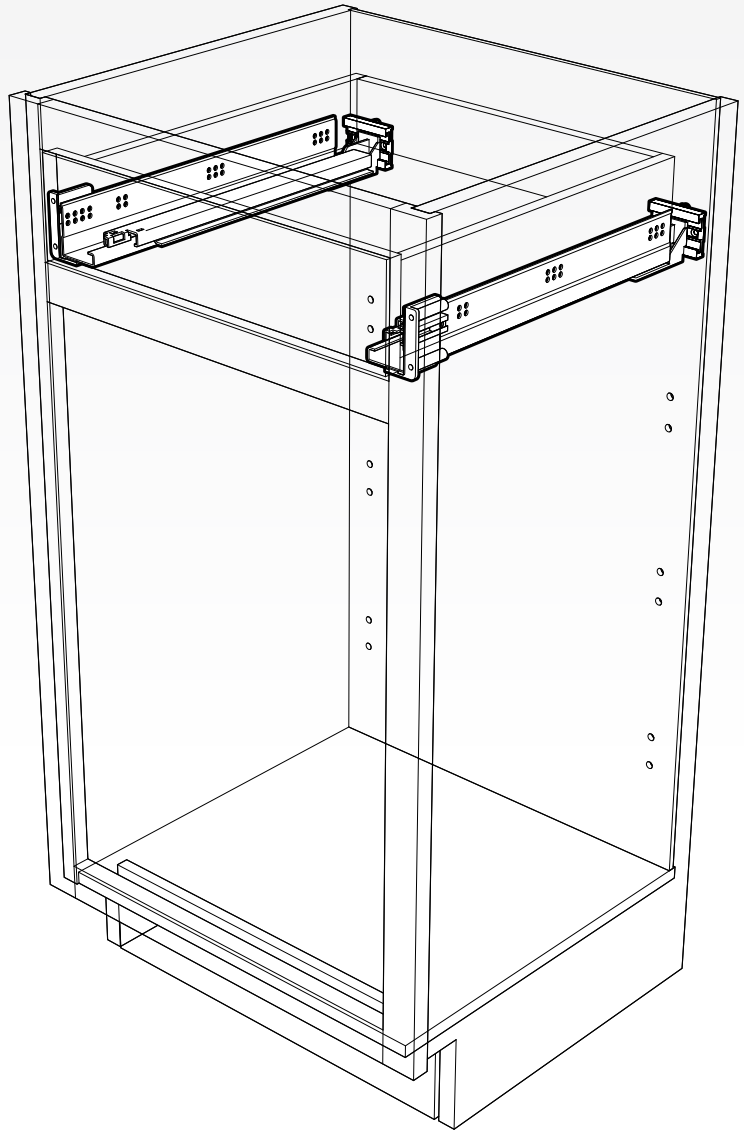
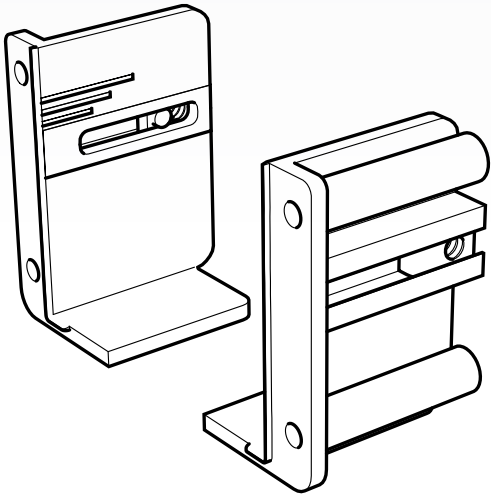


# INSET BRACKETS

## ADJUSTABILITY FOR INSET DRAWERS

Kitchen Buyers are now demanding more from their new kitchen investments. They are looking for smoother drawer systems, more storage space and a high-end furniture appeal with inset drawers and doors.

Tenn-Tex Plastics has developed our Inset Bracket program that will allow you to meet your customers' demands. This revolutionary bracket system provides drawer front adjustments for a perfect alignment, regardless of the drawer front thickness or profile. Our Inset Brackets will eliminate the need to put wood blocks behind the face-frame. At Tenn-Tex Plastics, we offer you Innovative Technology for Inset Cabinet Applications.



All materials ©2024 TennTex Plastics • We recommend test fitting to ensure proper function • Products in this brochure are Patented or Patent Pending.





### INSET BRACKET ADVANTAGE

- Self Locating for Easy Mounting
- Works with Flush Bottom Cabinets (Universal Only)
- Smooth Horizontal Adjustment
- Anti-Slip Die Cast Insert
- Made with Strong Glass Filled Polycarbonate
- Attractive Wood Tone Coloring
- Replaces Cumbersome Wood Blocks
- Works with a Variety of Undermount Slides

### ADJUSTABILITY



Tenn-Tex Plastics' Inset Brackets work with a wide range of drawer front styles and thicknesses. The T-349-A and T-352-A Brackets allow a drawer slide to be positioned into the cabinet for a thicker, beaded drawer front or allow it to rest on top of the stretcher rail for thinner profiles. The T-350-A/T-350-01-A automatically places the drawer slide further from the stretcher rail and gives it support for drawer fronts that are over 3/4" thick.

### INSET DRAWER FRONT BRACKETS

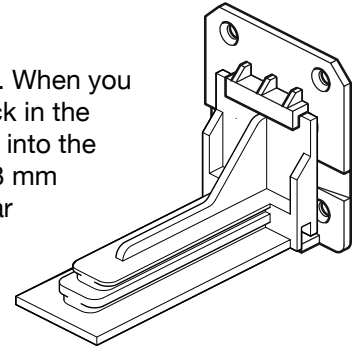
T-350-A	Inset Bracket, Handed, with Insert T-350-A (Left), T-350-01-A (Right)	T-349-A	Inset Bracket, Universal	T-352-A	Inset Bracket, Universal for Beaded Frames
	Box wt 7 lbs Box qty 100 Pallet 9,500		Box wt 12 lbs Box qty 200 Pallet 15,000		Box wt 15 lbs Box qty 200 Pallet 12,000
Also available in <b>B-393</b> , including: (1) T-350-A Left and (1) T-350-01-A Right (4) HAR-074 - 2" Washerhead screws to attach bracket to cabinet (2) HAR-113 Machine Screws to attach slide to bracket insert 50 bags per box	Colors: Brown T-350-A Left Brown T-350-01-A Right	Also available in <b>B-394</b> , including: (2) T-349-A Universal Brackets (4) HAR-074 - 2" Washerhead screws to attach bracket to cabinet (2) HAR-113 Machine Screws to attach slide to bracket insert 50 bags per box	Colors: Brown T-349-A	Also available in <b>B-427</b> , including: (2) T-352-A Universal Brackets (4) HAR-074 - 2" Washerhead screws to attach bracket to cabinet (2) HAR-113 Machine Screws to attach slide to bracket insert (4) HAR-083 3/4" Trusshead screws to attach bracket to beaded frame 50 bags per box	Colors: Brown T-352-A

\*Works with most standard undermount slides. Not designed for elongated holes. Tenn-Tex Plastics recommends testing to fit before purchase.

Trial applications are highly recommended. Some part numbers may have quantity restrictions or additional packaging options. Consult our website for dimensional drawings of parts. If you have questions on parts or availability, please contact Tenn-Tex Plastics before ordering.

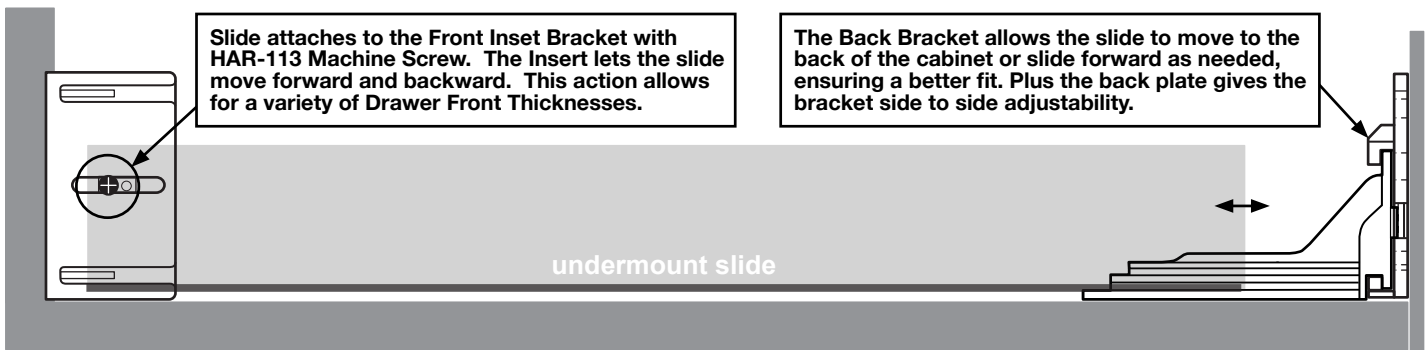
## REAR BRACKETS FOR INSET UNDERMOUNT APPLICATIONS

Tenn-Tex Plastics has designed specialty Undermount Rear Brackets for Inset Applications. When you install the Front Inset Brackets, the Undermount Drawer Slide must be mounted further back in the cabinet. The standard Overlay Rear Brackets will not allow the drawer slide to move further into the cabinet. The Inset Back Brackets from Tenn-Tex will allow you to mount your slide within 13 mm of the back panel. The Brackets have over 17 mm of side to side adjustment. Our Inset Rear Brackets will work with most undermount drawer slides. They are available with dowels for multiple drill patterns or in a screw-on version. For more information and to solve your Bracket needs at contact us at **1-800-Tenn-Tex** or **sales@tenntex.com**.

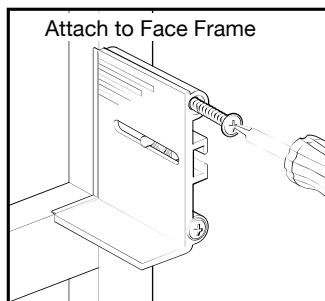


Common Item Numbers for Rear Brackets for Inset Applications. For Additional parts, contact Tenn-Tex Plastics.

Item #	Attachment	Back	Drill Pattern	QTY
C-280	Screw-On		X=1.5 / Y=6.8	400 Qty
C-308	8mm Dowel	1/8" Thick	X=16/Y=3.5	400 Qty
C-283 / C-283-01	10mm Dowels	1/4" Thick	X=3.5 / Y=8	400 Qty
C-301 / C-301-01	10mm Dowels	1/8" Thick	X=3.5 / Y=8	400 Qty
C-338 / C-33801	10mm Dowels	1/4" Thick	X=3.5 / Y=3	400 Qty
C-422 / C-422-01	10mm Dowels	1/8" Thick	X=3.5 / Y=3	400 Qty

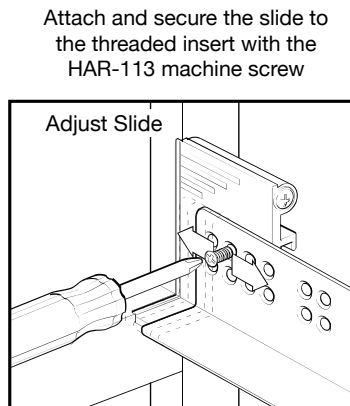


## INSTALLATION



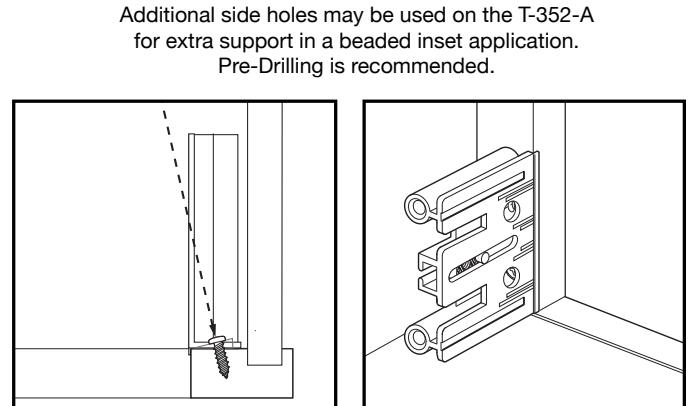
Attach to Face Frame

Attach any of the inset brackets to the faceframe with the HAR-079 screws



Adjust Slide

Attach and secure the slide to the threaded insert with the HAR-113 machine screw



Additional side holes may be used on the T-352-A for extra support in a beaded inset application. Pre-Drilling is recommended.

Trial applications are highly recommended. Some part numbers may have quantity restrictions or additional packaging options. Consult our website for dimensional drawings of parts. If you have questions on parts or availability, please contact Tenn-Tex Plastics before ordering.



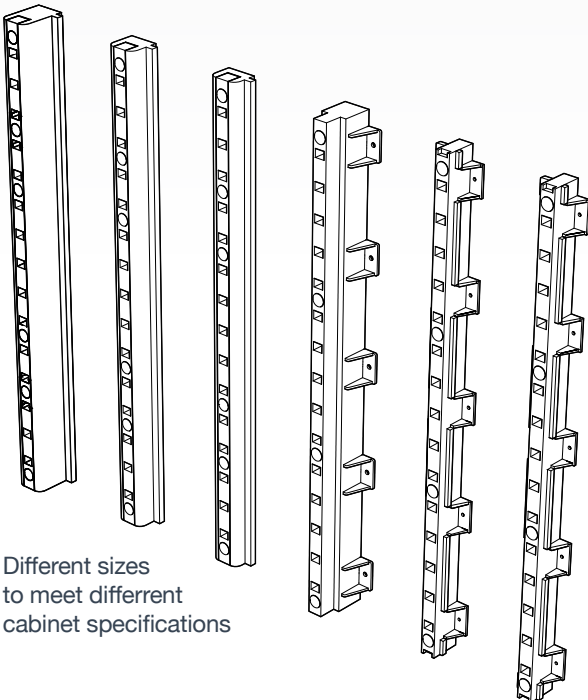
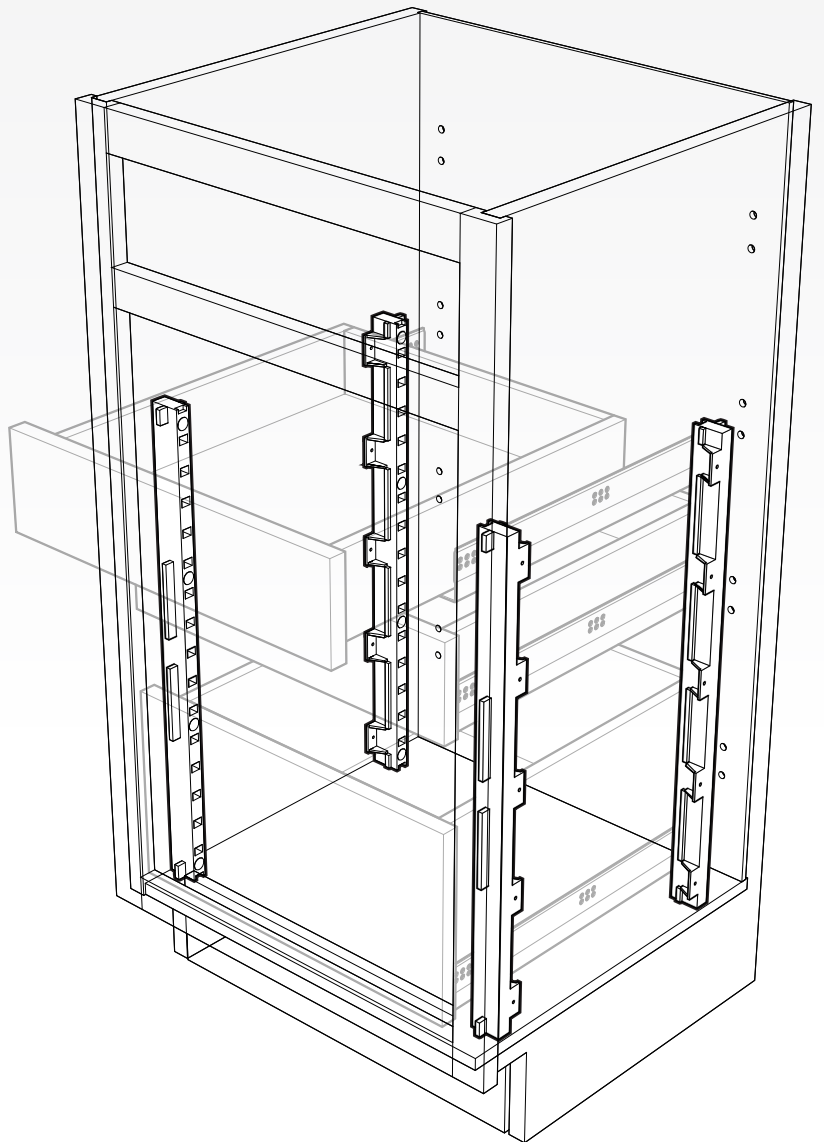
# QUIKTRAY ROLLOUT SYSTEM

EASY INSTALLATION • TOOL FREE ADJUSTABILITY • DURABLE

The QuikTRAY™ Rollout System from Tenn-Tex Plastics lets you add value to your entire product line. Equally useful with frame or frameless cabinets, QuikTRAY™ installs easily and adjust without tools.

With QuikTRAY™ there is no need to change your current specifications in order to maximize storage space in new or existing cabinets. The versatility and simplicity of the system works with any standard cabinet and most brands of drawer slides.

New cabinets, existing cabinets, sales displays, and pantry units can all benefit from the patented QuikTRAY™ Rollout System. It's the Simple Solutions for maximizing storage space.

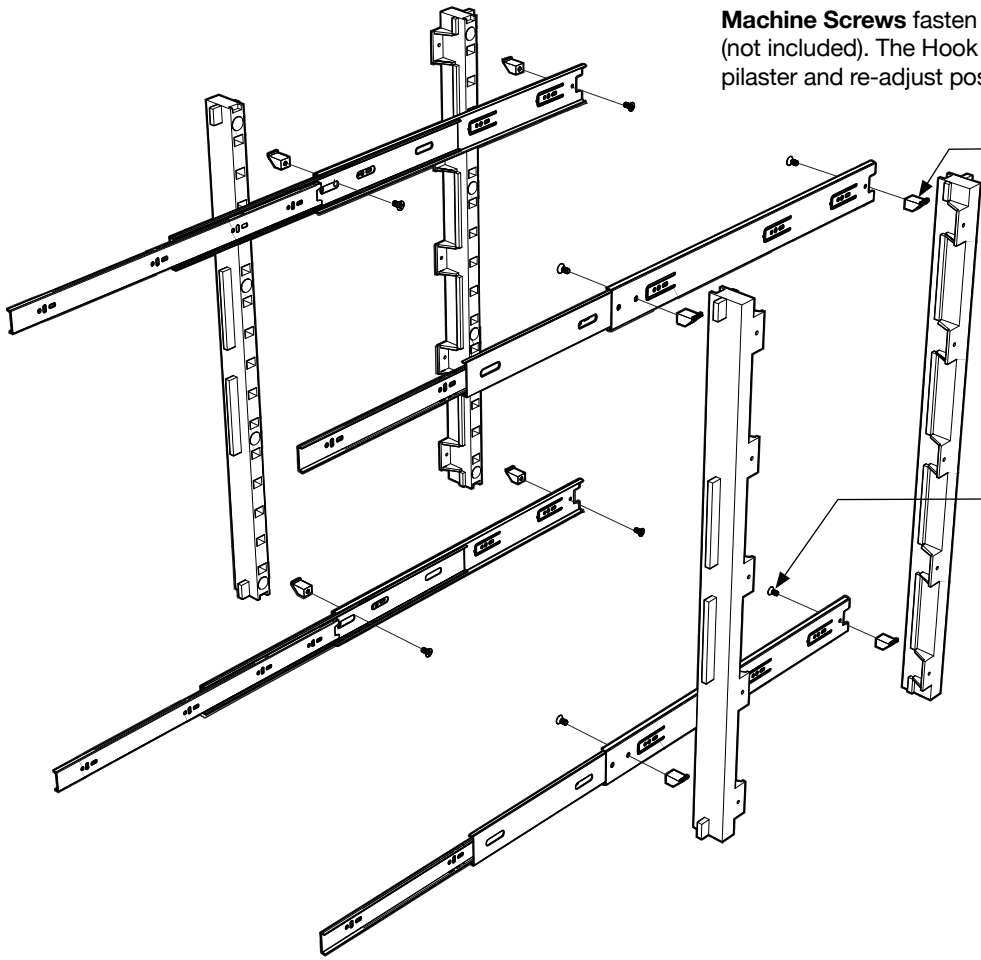


Different sizes to meet different cabinet specifications

All materials ©2024 TennTex Plastics • We recommend test fitting to ensure proper function • Products in this brochure are Patented or Patent Pending.

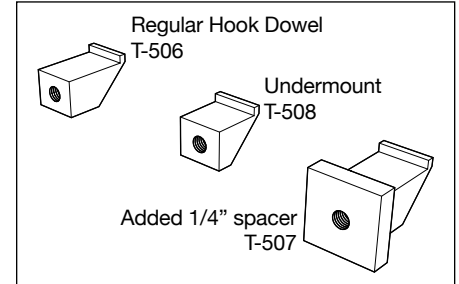


Scan here for more product information.



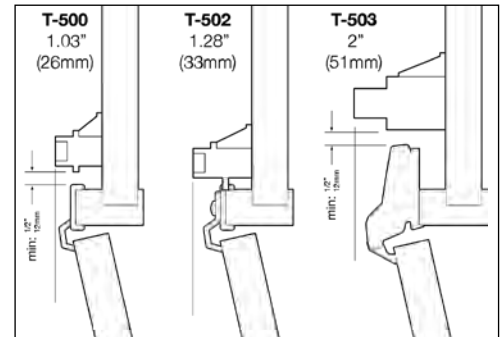
**Machine Screws** fasten the **Hook Dowels** to the any type of slide (not included). The Hook Dowels allow the slide to attach to the pilaster and re-adjust positions easily without tools.

Hook Dowels



Machine Screws  
HAR-013

Three different sizes of pilasters for different face frame overlays and hinge offsets



QuikTRAY also works for Frameless cabinets

**PILASTERS**

\* Black and Metallic are special order only.

T-500	1" QuikTRAY Pilaster	T-502	1.25" QuikTRAY Pilaster	T-503	2" QuikTRAY Pilaster
	<p>Box wt 27 lbs Box qty 100 Pallet 2,000</p> <p>Colors: White T-500-00 Beige T-500-01 Black* T-500-02 Metallic* T-500-04</p> <p>Bags - 4 pilasters: White B-520-00 Beige B-520-01 Black* B-520-02 Metallic* B-520-04</p> <p>Bags - 100 pilasters: White B-500-00 Beige B-500-01 Black* B-500-02 Metallic* B-500-04</p>		<p>Box wt 33 lbs Box qty 100 Pallet 1,600</p> <p>Colors: White T-502-00 Beige T-502-01 Black* T-502-02 Metallic* T-502-04</p> <p>Bags - 4 pilasters: White B-522-00 Beige B-522-01 Black* B-522-02 Metallic* B-522-04</p> <p>Bags - 100 pilasters: White B-502-00 Beige B-502-01 Black* B-502-02 Metallic* B-502-04</p>		<p>Box wt 28 lbs Box qty 48 Pallet 768</p> <p>Colors: White T-503-00 Beige T-503-01 Black* T-503-02 Metallic* T-503-04</p> <p>Bags - 4 pilasters: White B-525-00 Beige B-525-01 Black* B-525-02 Metallic* B-525-04</p> <p>Bags - 100 pilasters: White B-503-00 Beige B-503-01 Black* B-503-02 Metallic* B-503-04</p>

4 pilaster Bags contain 4 pilasters, 8 regular hook dowels, 8 undermount hook dowels, 8 machine screws, and 20 wood screws, plus instructions.  
100 pilaster Bags contain 100 pilasters, 200 regular hook dowels, 200 machine screws, and 500 wood screws, plus instructions. For undermount in the 100 pilaster bags add -U suffix for undermount hook dowels instead.

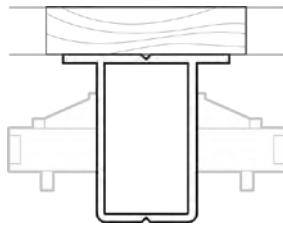
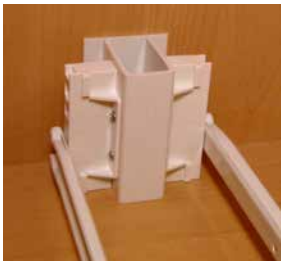
## QUIKTRAY ACCESSORIES

### ROLLOUT TRAY BUMPERS

T-161	Side Mount 11.5 mm Tray Bumper	T-160	Side Mount 18mm Tray Bumper	C-247	Undermount Rollout Bumper
	<p>Box wt 13 lbs Box qty 2,000 Pallet 64,000</p> <p>Colors: Natural T-161-00 White T-161-01 Beige T-161-02</p> <p>Polybag: Natural B-333 White B-334 Beige B-335</p> <p>100 Pack: Natural B-401-00 White B-401-01 Beige B-401-02</p>		<p>Box wt 17 lbs Box qty 2,000 Pallet 64,000</p> <p>Colors: Natural T-160-00 White T-160-01 Beige T-160-02</p> <p>Polybag: Natural B-336 White B-337 Beige B-338</p> <p>100 Pack: Natural B-400-00 White B-400-01 Beige B-400-02</p>		<p>Box wt 6 lbs Box qty 1,000</p> <p>Colors: Natural C-247-00 White C-247-01 Beige C-247-02 Gray C-247-03</p> <p>Polybag: Natural B-373 White B-374 Beige B-375 Gray B-376</p> <p>100 Pack: Natural B-402-00 White B-402-01 Beige B-402-02 Gray B-402-03</p>

Polybags contain two bumpers and two #6 x 1/2" TH Phillips screws per bag, 50 bags per box. 100 Packs contain 100 bumpers, but no hardware, per bag. B-401s and B-400s have 10 bags per box. B-402s have 25 bags per box

### SPECIALTY PILASTERS AND SUPPORTS



Short Pilasters are used under sinks or in other situations where a taller pilaster would not work, and only a single pull out tray is needed.

Center partition supports provide a surface to mount the pilasters on a cabinet with a center mullion from a double door

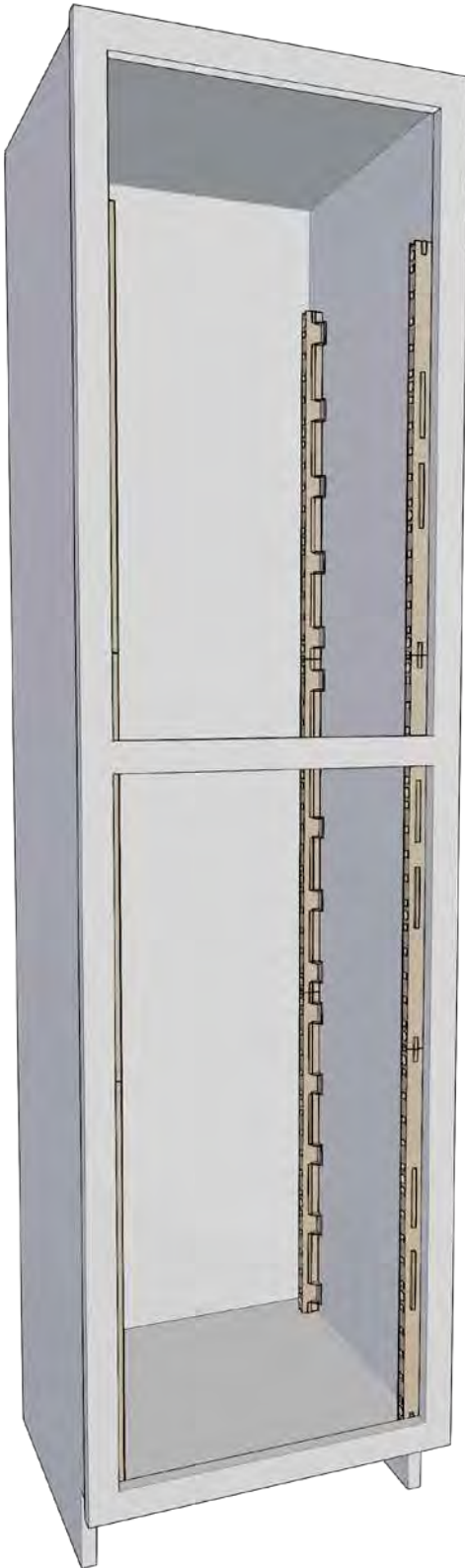
T-531	1 1/4" Short QuikTRAY Pilaster	HAR-034	20" Center Partition QuikTray Extrusion
	<p>Box wt 9 lbs Box qty 100 Pallet 7,500</p> <p>Colors: White T-531-00 Beige T-531-01</p> <p>Polybag: White B-523-00 Beige B-523-01</p> <p>100 Pack: White B-524-00 Beige B-524-01</p>		<p>Box wt 23 lbs Box qty 24</p> <p>Colors: White HAR-034 Beige HAR-035</p> <p>Polybag: White B-235-00 Beige B-235-01</p> <p>24 Pack: White B-232-00 Beige B-232-01</p>

Polybags contain four pilasters and twenty 7/16" wood screws and instructions per bag, 20 bags per box. 100 Packs contain 100 supports, 100 machine screws, 100 hook dowels, and instructions per bag, one bag per box.

Polybags contain two supports and twenty 7/16" wood screws and instructions per bag, 12 bags per box. 24 Packs contain 24 supports and one hundred 7/16" wood screws and instructions per bag, one bag per box.

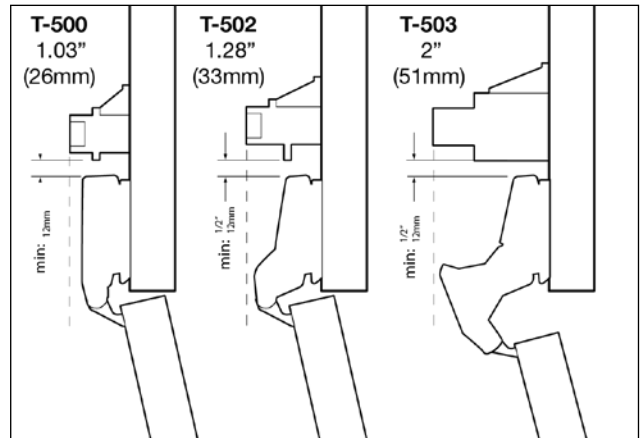
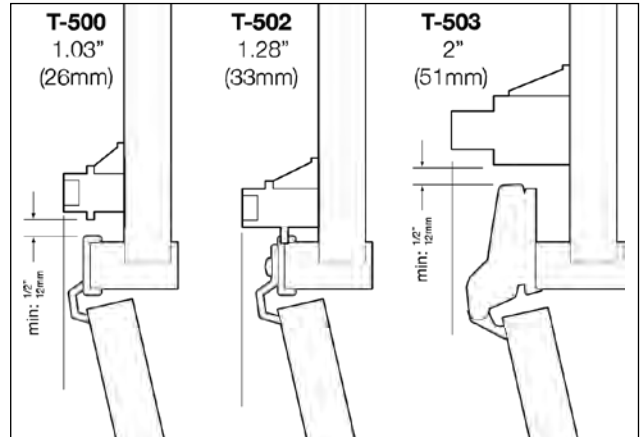
Extrusion can be cut down to fit space requirements with standard wood cutting tools.

## WHICH QUIKTRAY TO USE

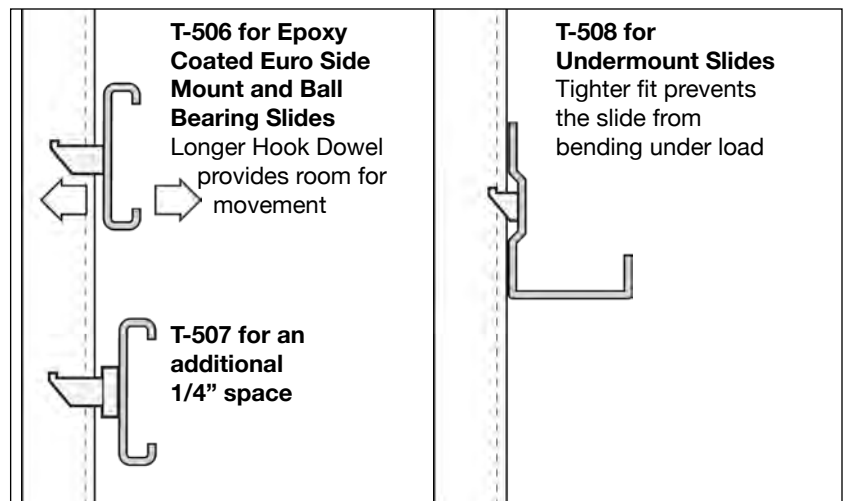


Stack the QuikTRAY Pilasters on top of one another to quickly and easily outfit a pantry unit. They can even be cut down with standard wood working tools to create an exact fit.

### PILASTERS FOR FACE FRAME AND FRAMELESS CABINETS

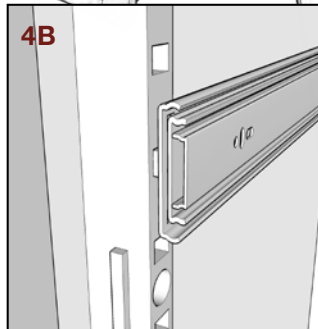
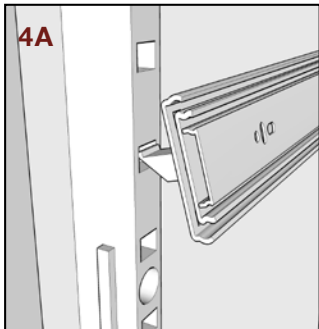
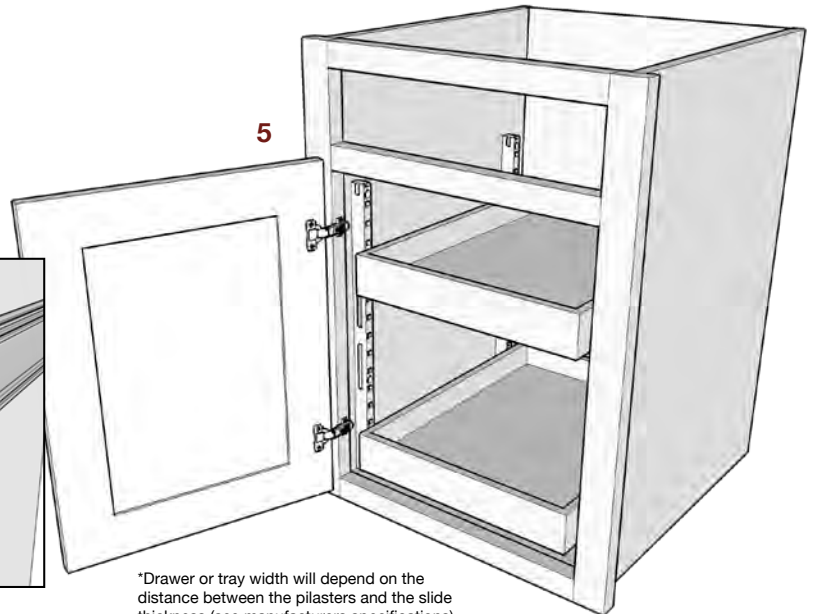
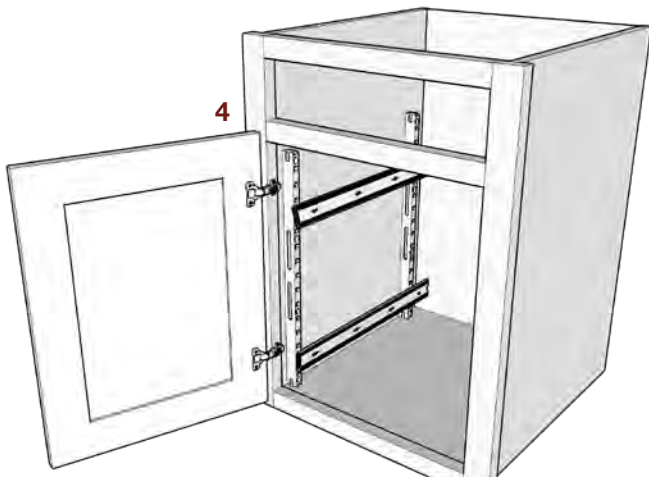
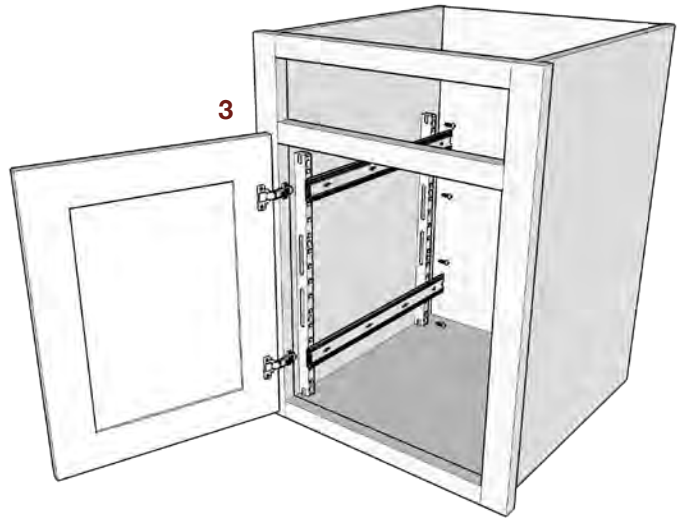
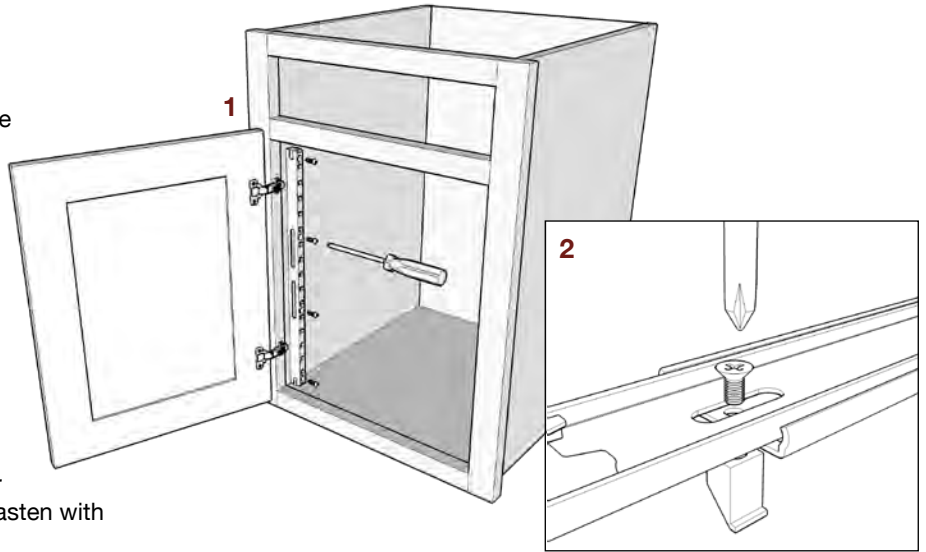


### HOOK DOWELS FOR ANY SLIDE



## QUIKTRAY INSTALLATION

- 1** Place QuikTRAY™ pilaster behind face-frame or set back, according to type of cabinet construction or hinges being used. Rest pilaster against cabinet bottom. Fasten with 5 wood screws or 4 Euro Screws.
- 2** Attach hook dowels (hooks pointing up) at front and back of drawer slide. Front hook dowels on slides must be mounted as far forward as possible.
- 3** To position back pilaster, insert two drawer slides of your choice to top and bottom of secured front pilaster and to unattached rear pilaster. Float rear pilaster into position and fasten with screws. Repeat procedure on the other side.
- 4** Move slides to desired position, inserting at slight angle.
- 4A** With patented hook dowels, no tools are required to install slides and trays. Just insert dowel with hook pointing up, then push down to lock into place.
- 4B** Hook dowels allow slides to move laterally to adjust for cabinet and drawer width tolerances.
- 5** Install drawers or trays.\*



\*Drawer or tray width will depend on the distance between the pilasters and the slide thickness (see manufacturers specifications).



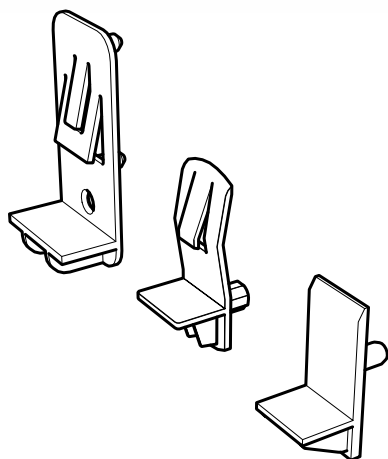
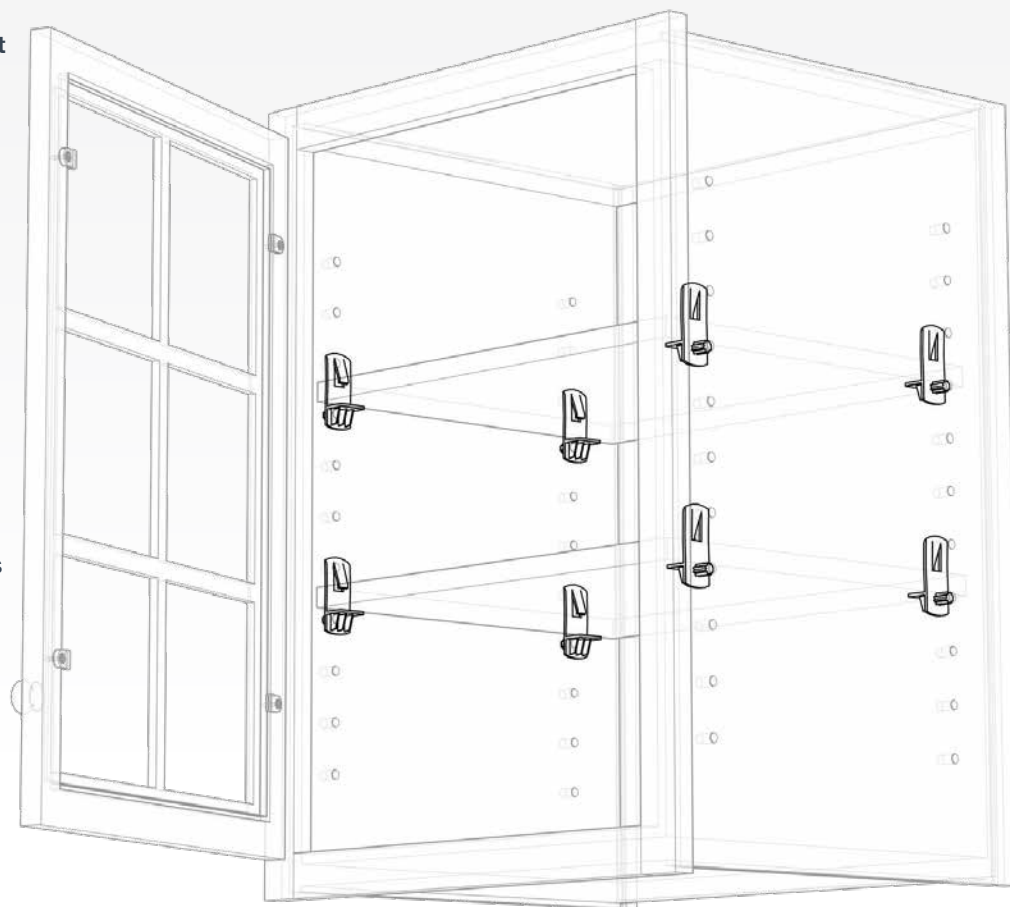
# SHELF SUPPORTS

VARIETY WITH CONSISTENT QUALITY

Tenn-Tex provides a wide assortment of shelf supports to fit your needs. From locking supports for securely holding shelves in shipping or an institutional shelf support for heavy-duty applications, our products are designed and manufactured for performance and reliability.

We offer shelf supports with 1/4" or 5mm diameter dowels, for 1/2", 15mm, 5/8", and 3/4" shelves, and a variety of colors. We also provide shelf brackets and mullion supports.

Our popular T-800 series shelf supports are tested up to 140 lbs of shear strength, and our T-600 series are tested to more than 200 lbs.



All materials ©2024 TennTex Plastics • We recommend test fitting to ensure proper function • Products in this brochure are Patented or Patent Pending.





## INDIVIDUAL SHELF SUPPORTS

### 1/4" DOWEL SHELF SUPPORTS

<b>T-610</b> 	<b>1/4" Diameter Dowel .395" Dowel Length</b> Box wt 54 lbs Box qty 20,000 Pallet 640,000  Colors: Clear T-610	<b>T-613</b> 	<b>1/4" Diameter Dowel .395" Dowel Length</b> Box wt 28 lbs Box qty 10,000 Pallet 320,000  Colors: Clear T-613	<b>T-632</b> 	<b>1/4" Diameter Dowel .225" Dowel Length</b> Box wt 22 lbs Box qty 5,000 Pallet 160,000  Colors: Clear T-632
<b>T-633</b> 	<b>1/4" Diameter Dowel .225" Dowel Length</b> Box wt 22 lbs Box qty 5,000 Pallet 160,000  Colors: Clear T-633	<b>T-635-01</b> 	<b>1/4" Diameter Dowel .225" Dowel Length</b> Box wt 20 lbs Box qty 8,000 Pallet 256,000  Colors: Clear T-635-01	<b>T-636</b> 	<b>1/4" Diameter Dowel .325" Dowel Length</b> Box wt 21 lbs Box qty 8,000 Pallet 256,000  Colors: Clear T-636 White T-636-01 Toffee T-636-02

### 5MM DOWEL SHELF SUPPORTS

<b>T-820</b> 	<b>5mm Diameter Dowel .240" Dowel Length</b> Box wt 29 lbs Box qty 30,000 Pallet 950,000  Colors: Clear T-820	<b>T-835</b> 	<b>5mm Diameter Dowel .240" Dowel Length</b> Box wt 26 lbs Box qty 8,000 Pallet 256,000  Colors: Clear T-835 Vanilla T-835-01	<b>T-891 METAL SHELF SUPPORT PIN</b> 	<b>5mm Diameter Dowel .275" Dowel Length</b> Box wt 33 lbs Box qty 5,000 Pallet 240,000  Colors: Clear T-891
------------------	---	------------------	--	--	--

### GLASS SHELVING SHELF SUPPORTS

<b>T-615</b> 	<b>1/4" Dowel, .365" Dowel Length Slotted Pin 1/8" Glass</b> Box wt 36 lbs Box qty 9,500 Pallet 304,000  Colors: Clear T-615
<b>T-619</b> 	<b>1/4" Dowel, .365" Dowel Length Slotted Pin 1/8" Glass</b> Box wt 19 lbs Box qty 4,000 Pallet 300,000  Colors: Clear T-619

### INSTITUTIONAL SHELF SUPPORTS

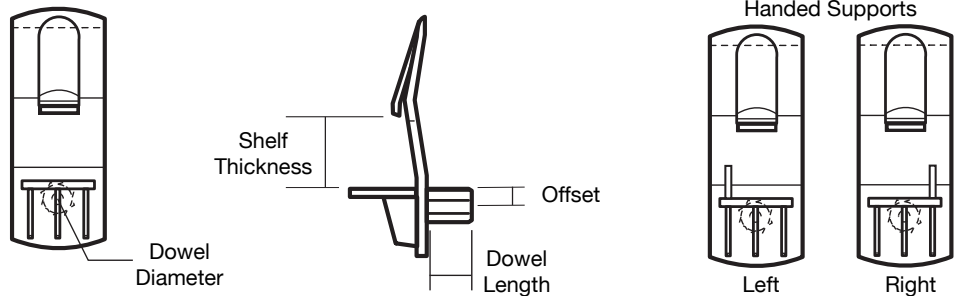
<b>T-803</b> 	<b>5mm Twin Dowels Supports 3/4" &amp; 1" Shelves</b> Box wt 15 lbs Box qty 1,000 Pallet 32,000  Colors: Clear T-803-00 White T-803-01
------------------	---

Passes **300 pound** shear test  
 For all heavy-duty applications  
 Ideal for Commercial or Institutional Furniture  
 Use with 3/4" or 1" thick shelves and solid end panels only  
 Twin 5mm dowels  
 Made from ultra strong, clear polycarbonate  
 Can be screwed to side panel for added security  
 Shelf can be screwed to shelf support  
 Shelf cut size = Inside cabinet width minus 6mm



600 SERIES LOCKING SHELF SUPPORTS

1/4" DOWEL DIAMETER

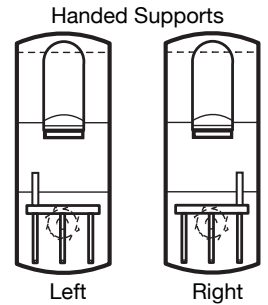
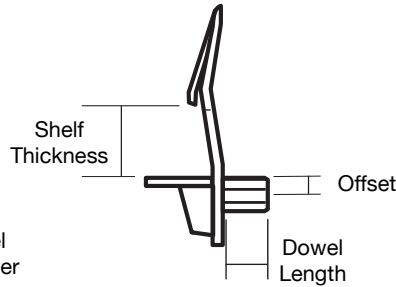
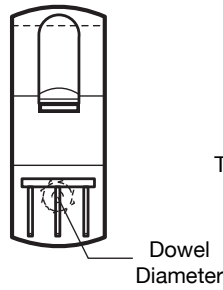


Item Number	Dowel Dia.	Shelf Thickness				Dowel Length	Handed	Offset	Shelf Clearance		Color	Box Qty	Box Weight	Pallet Qty
		1/2"	5/8"	3/4"	15mm				Inches	mm				
T-600-00	1/4"	1/2"				.300"		.125"	5mm	.196"	Clear	4,000	21	128,000
T-600-01	1/4"	1/2"				.300"	Left	.125"	5mm	.196"	Clear	4,000	21	128,000
T-600-02	1/4"	1/2"				.300"	Right	.125"	5mm	.196"	Clear	4,000	21	128,000
T-600-03*	1/4"	1/2"				.225"		.125"	5mm	.196"	Clear	4,000	21	128,000
T-600-04*	1/4"	1/2"				.225"	Left	.125"	5mm	.196"	Clear	4,000	21	128,000
T-600-05*	1/4"	1/2"				.225"	Right	.125"	5mm	.196"	Clear	4,000	21	128,000
T-600-06	1/4"	1/2"				.300"		.125"	5mm	.196"	Toffee	4,000	21	128,000
T-601-00	1/4"		5/8"			.300"		.125"	5mm	.196"	Clear	3,500	18	112,000
T-601-01	1/4"		5/8"			.300"	Left	.125"	5mm	.196"	Clear	3,500	19	112,000
T-601-02	1/4"		5/8"			.300"	Right	.125"	5mm	.196"	Clear	3,500	20	112,000
T-601-03*	1/4"		5/8"			.225"		.125"	5mm	.196"	Clear	3,500	20	112,000
T-601-04*	1/4"		5/8"			.225"	Left	.125"	5mm	.196"	Clear	3,500	20	112,000
T-601-05*	1/4"		5/8"			.225"	Right	.125"	5mm	.196"	Clear	3,500	20	112,000
T-602-00	1/4"			3/4"		.300"		.125"	5mm	.196"	Clear	3,000	19	96,000
T-602-01	1/4"			3/4"		.300"	Left	.125"	5mm	.196"	Clear	3,000	19	96,000
T-602-02	1/4"			3/4"		.300"	Right	.125"	5mm	.196"	Clear	3,000	19	96,000
T-602-03*	1/4"			3/4"		.225"		.125"	5mm	.196"	Clear	3,000	19	96,000
T-602-04	1/4"			3/4"		.300"		.125"	5mm	.196"	Toffee	3,000	19	96,000
T-602-05	1/4"			3/4"		.300"		.125"	5mm	.196"	White	3,000	19	96,000
T-602-06*	1/4"			3/4"		.225"	Left	.125"	5mm	.196"	Clear	3,000	19	96,000
T-602-07*	1/4"			3/4"		.225"	Right	.125"	5mm	.196"	Clear	3,000	19	96,000
T-604-00	1/4"			3/4"		.315"		.125"	6mm	.236"	Clear	1,800	19	57,600
T-604-03	1/4"			3/4"		.315"		.125"	6mm	.236"	Natural	1,800	17	57,600
T-605-00	1/4"				15mm	.310"		.125"	6mm	.236"	Clear	2,000	17	64,000
T-605-01	1/4"				15mm	.310"	Left	.125"	6mm	.236"	Clear	2,000	18	64,000
T-605-02	1/4"				15mm	.310"	Right	.125"	6mm	.236"	Clear	2,000	18	64,000

\*short dowel

800 SERIES LOCKING SHELF SUPPORTS

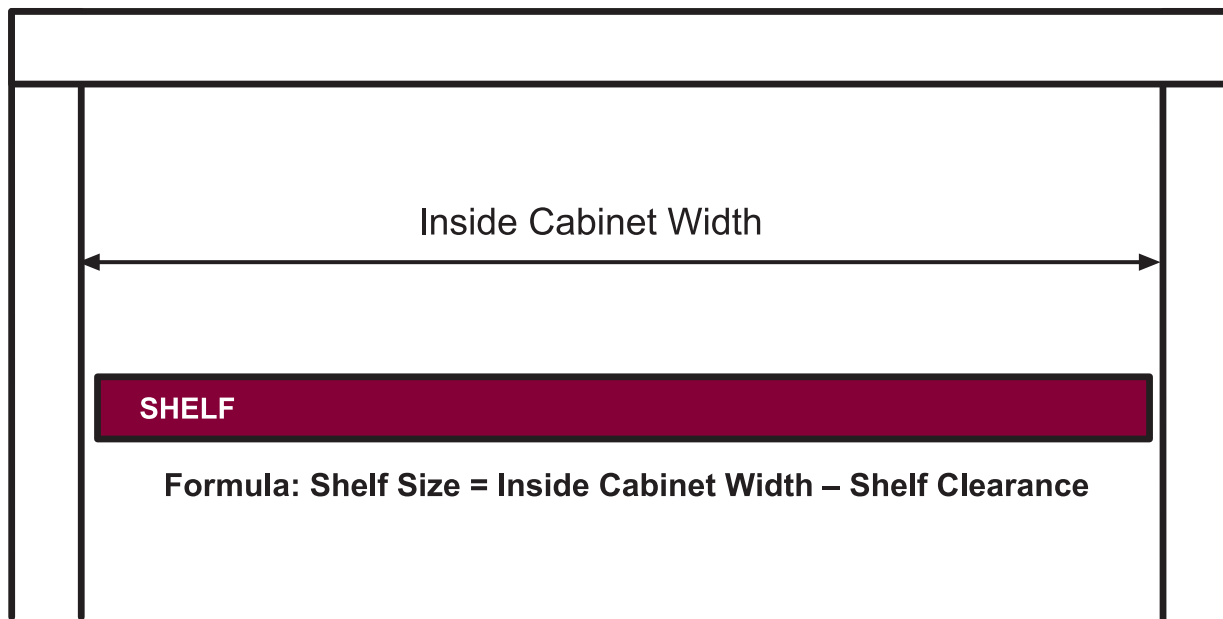
5MM DOWEL DIAMETER



Item Number	Dowel Dia.	Shelf Thickness			Dowel Length	Handed	Offset	Shelf Clearance		Color	Box Qty	Box Weight	Pallet Qty
		1/2"	5/8"	3/4"				Inches	mm				
T-800-00	5mm	1/2"			.240"		.125"	5mm	.196"	Clear	4,000	20	128,000
T-800-01	5mm	1/2"			.240"	Left	.125"	5mm	.196"	Clear	4,000	21	128,000
T-800-02	5mm	1/2"			.240"	Right	.125"	5mm	.196"	Clear	4,000	21	128,000
T-800-03	5mm	1/2"			.240"		.125"	5mm	.196"	White	4,000	20	128,000
T-801-00	5mm		5/8"		.240"		.125"	5mm	.196"	Clear	3,500	19	112,000
T-801-01	5mm		5/8"		.240"	Left	.125"	5mm	.196"	Clear	3,500	19	112,000
T-801-02	5mm		5/8"		.240"	Right	.125"	5mm	.196"	Clear	3,500	19	112,000
T-801-03	5mm		5/8"		.240"		.125"	5mm	.196"	White	3,500	20	112,000
T-801-05	5mm		5/8"		.240"		.125"	5mm	.196"	Toffee	3,500	20	112,000
T-801-06	5mm		5/8"		.240"		.125"	5mm	.196"	White	3,500	20	112,000
T-802-00	5mm			3/4"	.240"		.125"	5mm	.196"	Clear	3,000	19	96,000
T-802-01	5mm			3/4"	.240"	Left	.125"	5mm	.196"	Clear	3,000	20	96,000
T-802-02	5mm			3/4"	.240"	Right	.125"	5mm	.196"	Clear	3,000	20	96,000
T-802-03	5mm			3/4"	.240"		.125"	5mm	.196"	White	3,500	20	112,000
T-802-05	5mm			3/4"	.240"		.125"	5mm	.196"	Toffee	3,500	20	112,000
T-802-06	5mm			3/4"	.240"		.125"	5mm	.196"	Vanilla	3,500	20	112,000
T-802-07	5mm			3/4"	.240"	Left	.125"	5mm	.196"	Vanilla	3,500	20	112,000
T-802-08	5mm			3/4"	.240"	Right	.125"	5mm	.196"	Vanilla	3,500	20	112,000
T-802-09	5mm			3/4"	.240"	Left	.125"	5mm	.196"	White	3,500	20	112,000
T-802-10	5mm			3/4"	.240"	Right	.125"	5mm	.196"	White	3,500	20	112,000

Trial applications are highly recommended. Some part numbers may have quantity restrictions or additional packaging options. Consult our website for dimensional drawings of parts. If you have questions on parts or availability, please contact Tenn-Tex Plastics before ordering.

**RECOMMENDED CUT SIZE FOR SHELF SUPPORTS**

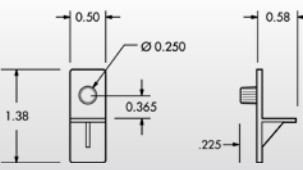
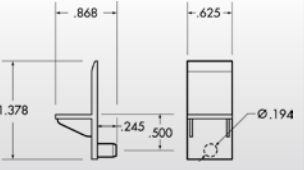
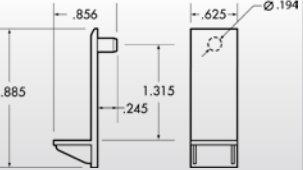
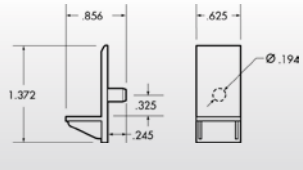
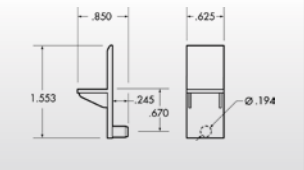
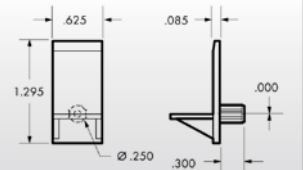
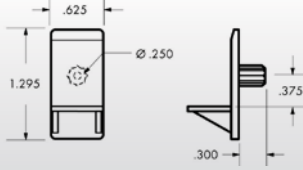
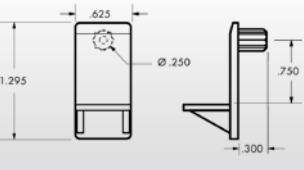


PART#	SHELF CLEARANCE	
	MM	INCHES
T-600	5mm	.196
T-601	5mm	.196
T-602	5mm	.196
T-604	6mm	.236
T-605	6mm	.236
T-610	4mm	.157
T-613	4mm	.157
T-615	6mm	.236
T-617	6mm	.236
T-619	6mm	.236
T-620	4mm	.157
T-621	4mm	.157
T-622	4mm	.157

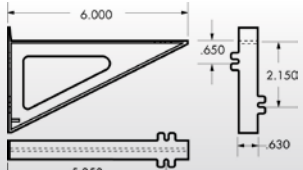

PART#	SHELF CLEARANCE	
	MM	INCHES
T-632	4mm	.157
T-633	4mm	.157
T-635	4mm	.157
T-636	4mm	.157
T-695	2mm	.078
T-800	5mm	.196
T-801	5mm	.196
T-802	5mm	.196
T-803	6mm	.236
T-820	2mm	.078
T-831	4mm	.157
T-835	4mm	.157
T-891	5mm	.196
T-895	2mm	.078

## MISCELLANEOUS SHELF SUPPORTS

### MULLION SHELF SUPPORTS

<p><b>C-203</b> 1/4" Dowel, .395" Offset .225" Dowel Length</p>  <p>Box wt 18 lbs Box qty 1,000 Pallet 16,000</p> <p>Colors: Clear C-203</p>	<p><b>C-260</b> 5mm Dowel, .500" Offset .245" Dowel Length</p>  <p>Box wt 23 lbs Box qty 5,000 Pallet 160,000</p> <p>Colors: Clear C-260</p>	<p><b>C-261</b> 5mm Dowel, 1.315" Offset .245" Dowel Length</p>  <p>Box wt 23 lbs Box qty 4,000 Pallet 128,000</p> <p>Colors: Clear C-261</p>
<p><b>C-262</b> 5mm Dowel, .325" Offset .245" Dowel Length</p>  <p>Box wt 23 lbs Box qty 5,000 Pallet 160,000</p> <p>Colors: Clear C-262</p>	<p><b>C-263</b> 5mm Dowel, .670" Offset .245" Dowel Length</p>  <p>Box wt 23 lbs Box qty 5,000 Pallet 160,000</p> <p>Colors: Clear C-263</p>	<p><b>T-620</b> 1/4" Dowel, .000" Offset .300" Dowel Length</p>  <p>Box wt 23 lbs Box qty 5,000 Pallet 160,000</p> <p>Colors: Clear T-620</p>
<p><b>T-621</b> 1/4" Dowel, .375" Offset .300" Dowel Length</p>  <p>Box wt 23 lbs Box qty 5,000 Pallet 160,000</p> <p>Colors: Clear T-621</p>	<p><b>T-622</b> 1/4" Dowel, .750" Offset .300" Dowel Length</p>  <p>Box wt 23 lbs Box qty 5,000 Pallet 160,000</p> <p>Colors: Clear T-622</p>	

### SHELF BRACKETS

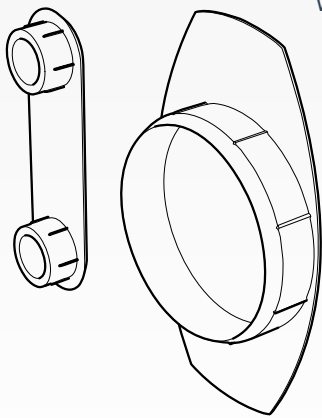
<p><b>T-662</b> Shelf Bracket w/ Horizontal tabs 6"</p>  <p>Box wt 19 lbs Box qty 300 Pallet 5,400</p> <p>Colors: Natural T-662</p>	
--	---



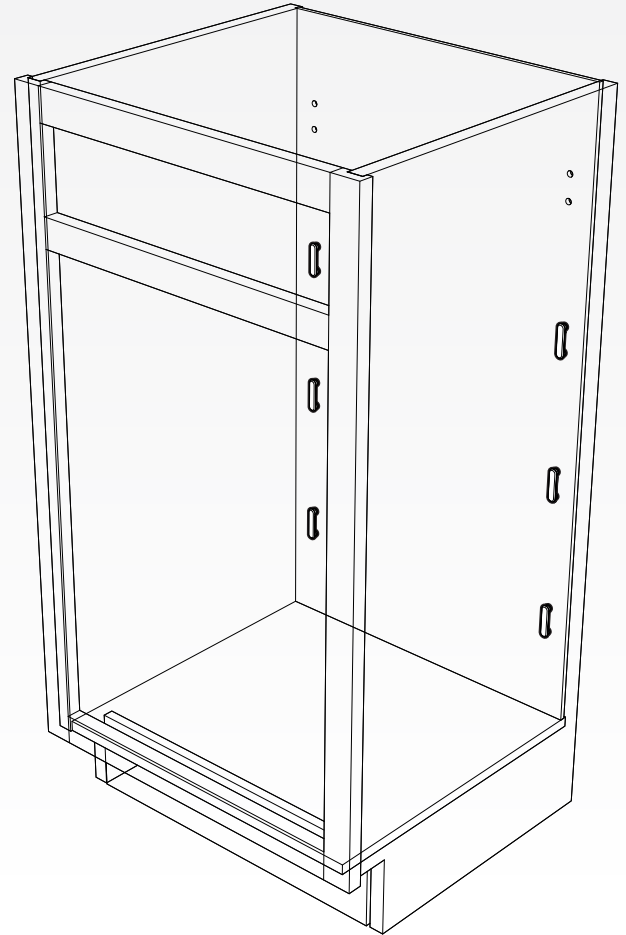
# COVER CAPS

USE ONE CABINET BACK WITHOUT EXTRA HOLES

At Tenn-Tex, our most popular cover caps are used in cabinet backs that are predrilled for Drawer Slide Brackets. For cabinet backs with multiple drawer options, our cover caps fill the extra unused holes in the cabinet back. This will allow the manufacturer to have one cabinet back for all drawer slide applications.



We offer the Cover Caps with 10mm and 8mm dowel options. Our 35mm Cover Caps can be used to cover pre-bored Hinge mounting applications. Our most popular colors are Beige and White.



## COVER CAPS

T-780	Hole Plug 8mm	T-781	Hole Plug 10mm	T-782	Cover Cap 35mm
	<p>Box wt 23 lbs Box qty 8,000 Pallet 256,000</p> <p>Colors: White T-780 Beige T-780-01</p>		<p>Box wt 18 lbs Box qty 6,000 Pallet 192,000</p> <p>Colors: White T-781 Beige T-781-01 Almond T-781-02 Cream T-781-03 Vanilla T-781-04</p>		<p>Box wt 24 lbs Box qty 3,000 Pallet 54,000</p> <p>Colors: White T-782 Other colors available by Special Order, minimum quantities required.</p>

Trial applications are highly recommended. Some part numbers may have quantity restrictions or additional packaging options. Consult our website for dimensional drawings of parts. If you have questions on parts or availability, please contact Tenn-Tex Plastics before ordering.

All materials ©2024 TennTex Plastics • We recommend test fitting to ensure proper function • Products in this brochure are Patented or Patent Pending.



Scan here for more product information.

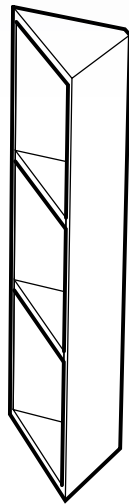
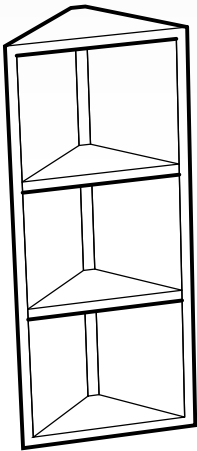
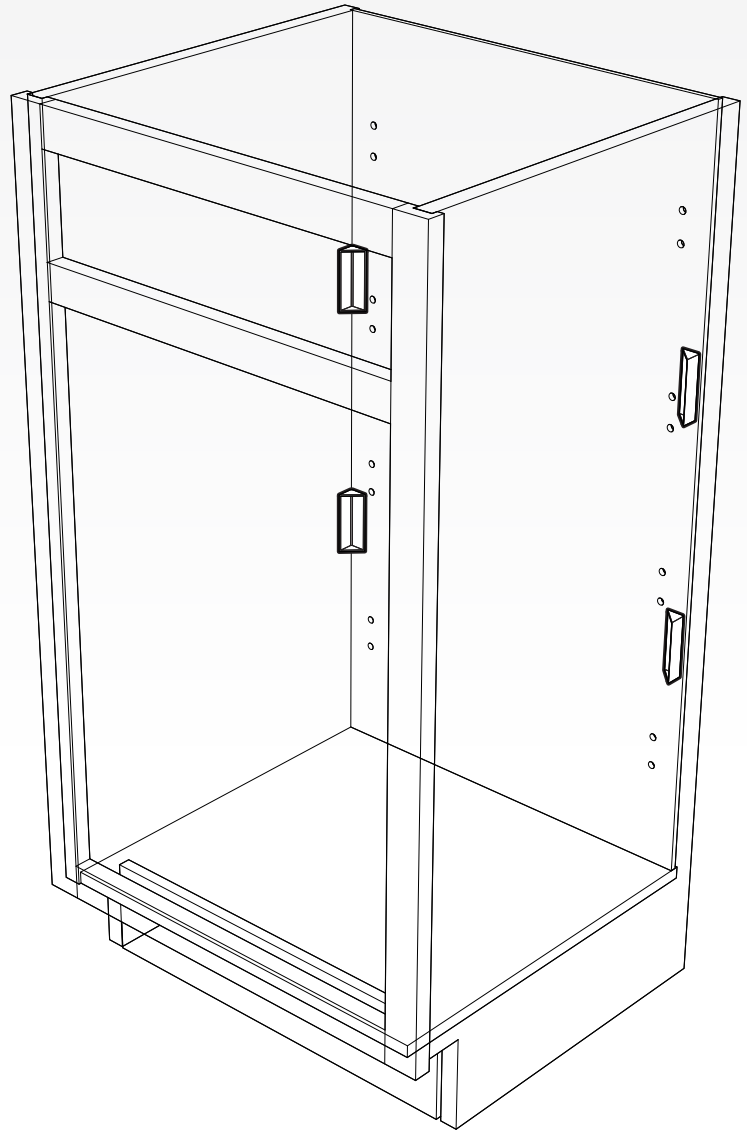


# GLUE & STAPLE BLOCKS

SIMPLIFY CABINET CONSTRUCTION

Glue and Staple Blocks help streamline your production lines and save time and money. The Glue Blocks eliminates glue set-up time.

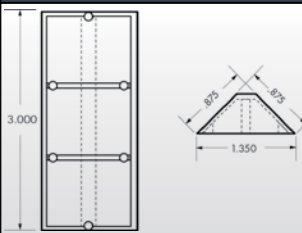
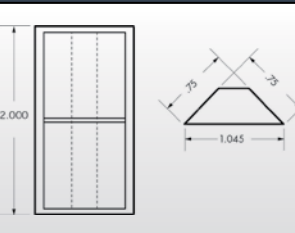
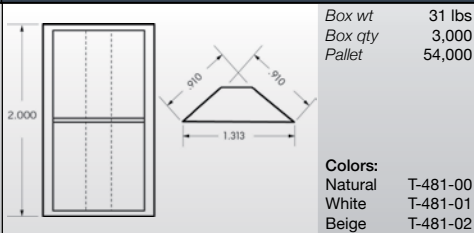
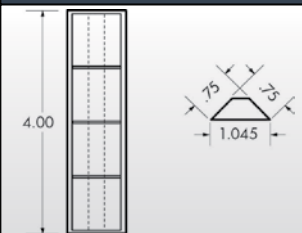
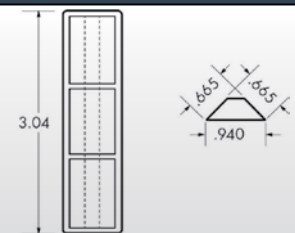
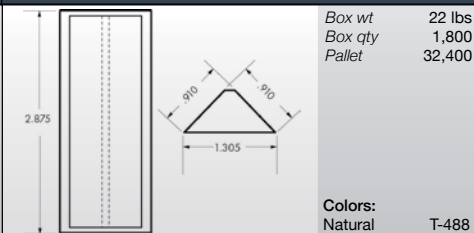
We produce a variety of styles in many sizes and colors. The Glue and Staple Blocks are also commonly used for fastening toe kick panels. Please contact us for The Simple Solutions for your Glue and Staple Block applications.

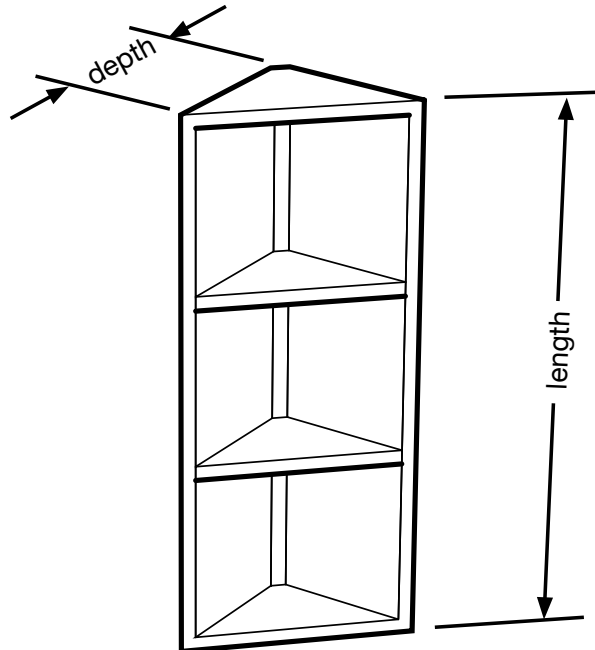


All materials ©2024 TennTex Plastics • We recommend test fitting to ensure proper function • Products in this brochure are Patented or Patent Pending.



**GLUE & STAPLE BLOCKS**

<p><b>T-475</b></p> 	<p><b>Glue &amp; Staple Block</b> 3" x 1"</p> <p>Box wt 30 lbs Box qty 1,800 Pallet 32,400</p> <p>Colors: White T-475-01 Beige T-475-02 Natural T-475-03 White T-475-04 Natural T-475-05</p>	<p><b>T-480</b></p> 	<p><b>Glue &amp; Staple Block</b> 2" x 3/4"</p> <p>Box wt 39 lbs Box qty 5,000 Pallet 90,000</p> <p>Colors: Beige T-480-00 Natural T-480-01 White T-480-02 Natural T-480-03 White T-480-04</p>	<p><b>T-481</b></p>  <p>Box wt 31 lbs Box qty 3,000 Pallet 54,000</p> <p>Colors: Natural T-481-00 White T-481-01 Beige T-481-02</p>
<p><b>T-485</b></p> 	<p><b>Glue &amp; Staple Block</b> 4" x 3/4"</p> <p>Box wt 27 lbs Box qty 2,000 Pallet 36,000</p> <p>Colors: Beige T-485-00 Natural T-485-01 Natural T-485-02</p>	<p><b>T-487</b></p> 	<p><b>Glue &amp; Staple Block</b> 3" x 11/16"</p> <p>Box wt 29 lbs Box qty 3,000 Pallet 54,000</p> <p>Colors: Beige T-487</p>	<p><b>T-488</b></p>  <p>Box wt 22 lbs Box qty 1,800 Pallet 32,400</p> <p>Colors: Natural T-488</p>



Trial applications are highly recommended. Some part numbers may have quantity restrictions or additional packaging options. Consult our website for dimensional drawings of parts. If you have questions on parts or availability, please contact Tenn-Tex Plastics before ordering.



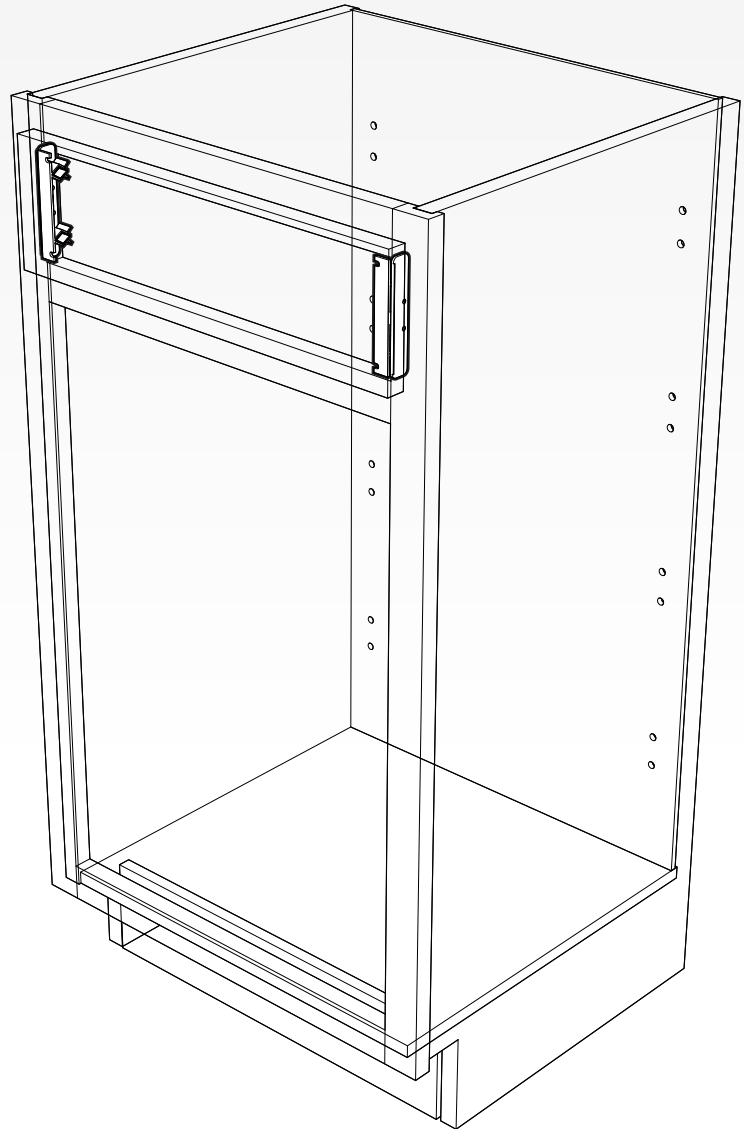
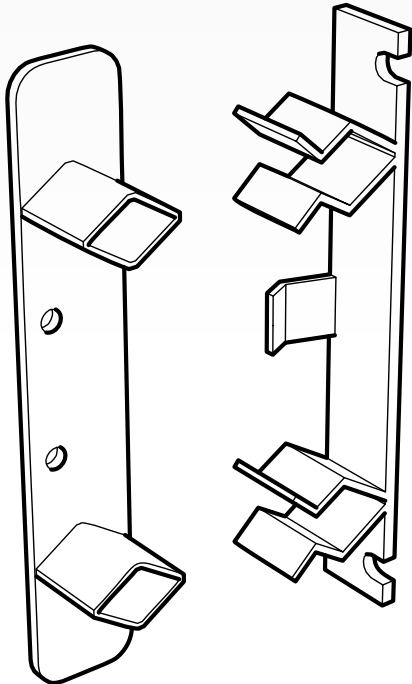


# FALSE FRONT CLIPS

MAKING DIFFICULT TASKS EASY

Installing and aligning false drawer fronts on sink base cabinets can be a tedious and time consuming task. Our False Front Clips offer a faster and easier alternative.

Tenn-Tex Plastics offers several distinctive styles to fit various openings. They are equally useful for access panels on boats, spas or any kind of decorative panel that must remain removable.

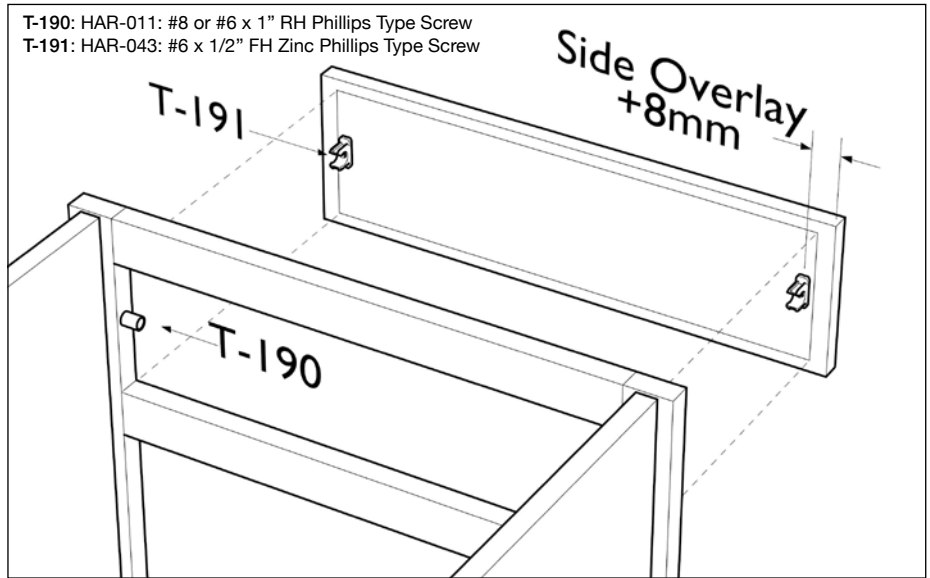


All materials ©2024 TennTex Plastics • We recommend test fitting to ensure proper function • Products in this brochure are Patented or Patent Pending.



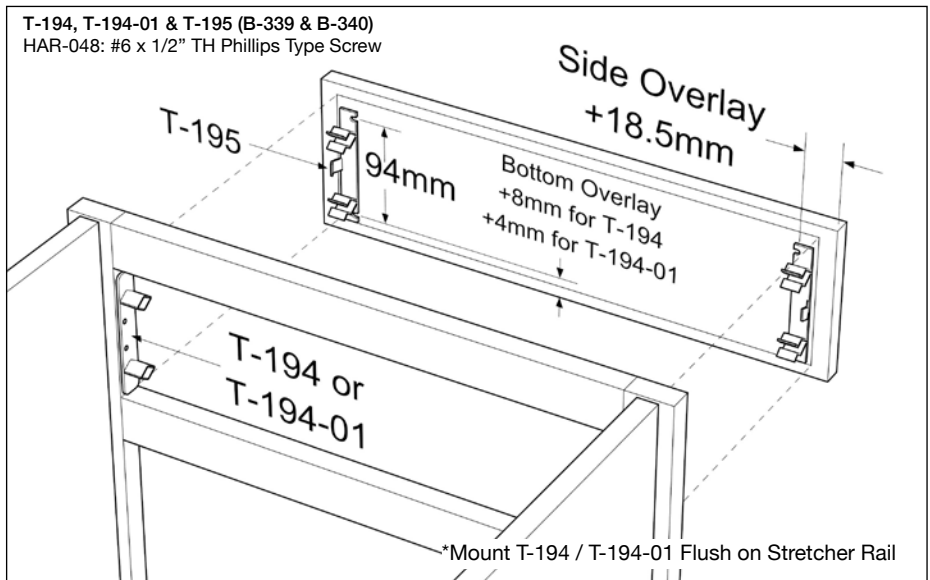
**FALSE FRONT DOWEL AND CLIP**

<b>T-190</b>		False Front Dowel for #8 or #6 x 1" RHP Screw
	Box wt	23 lbs
	Box qty	8,000
Also available: B-172 (100/bag) 25 bags /box  B-414 (1000/bag) 1 bag/box		
<b>T-191</b>		False Front Clip
	Box wt	34 lbs
	Box qty	8,000
Also available: B-172 (100/bag) 25 bags /box  B-414 (1000/bag) 1 bag/box		



**FALSE FRONT TWIN DOWEL AND CLIP**

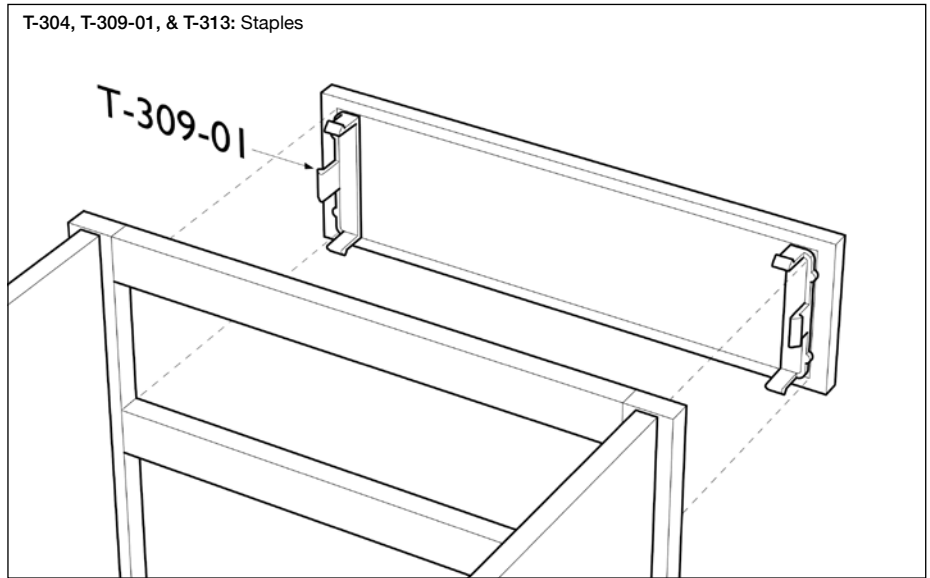
<b>T-194</b>		False Front Twin Dowel for 4.5" Opening
	Box wt	17 lbs
	Box qty	800
Also available: B-339 (T-194 x2, T-195 x2, & 4 screws) 50 bags /box		
<b>T-194-01</b>		False Front Twin Dowel for 4" Opening
	Box wt	17 lbs
	Box qty	800
Also available: B-340 (T-194-01 x2, T-195 x2, & 4 screws) 50 bags /box		
<b>T-195</b>		False Front Twin Dowel Clip works with T-194 and T-194-01
	Box wt	17 lbs
	Box qty	800
Also available: B-339 (T-194 x2, T-195 x2, & 4 screws) 50 bags /box  B-340 (T-194-01 x2, T-195 x2, & 4 screws) 50 bags /box		



Trial applications are highly recommended. Some part numbers may have quantity restrictions or additional packaging options. Consult our website for dimensional drawings of parts. If you have questions on parts or availability, please contact Tenn-Tex Plastics before ordering.

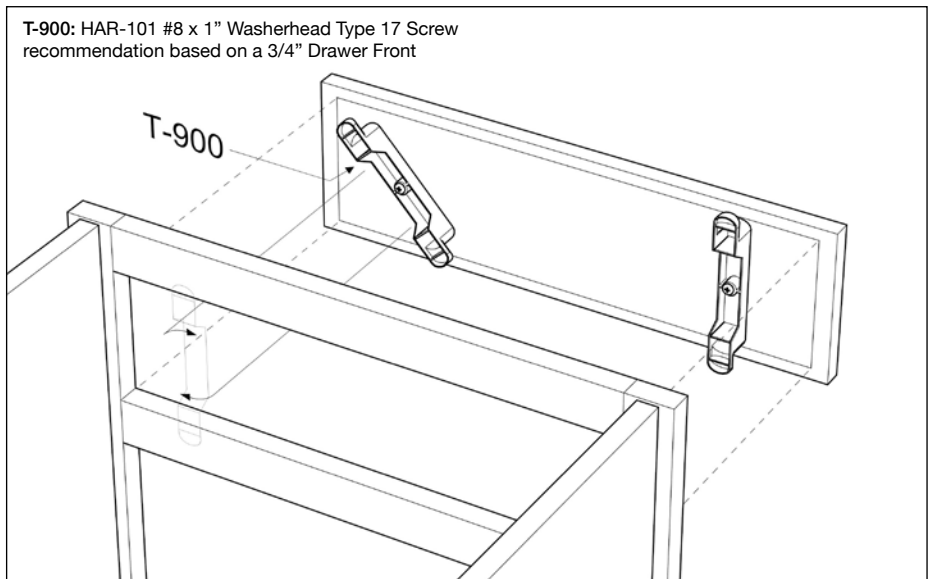
**FALSE FRONT CLIPS**

<b>T-304</b>		False Front Clip for 4.5" Opening
		Box wt 12 lbs Box qty 500  Also available: T-300 for 4" Opening
<b>T-309-01</b>		False Front Clip w/ Standoff for 4.5" Opening
		Box wt 15 lbs Box qty 500  *4mm standoff
<b>T-313-01</b>		False Front Clip w/ Standoff for 5" Opening
		Box wt 13 lbs Box qty 400  *4mm standoff



**FALSE FRONT TURNBUCKLE**

<b>T-900</b>		False Front Turnbuckle for 4.5" Opening
		Box wt 26 lbs Box qty 700



Trial applications are highly recommended. Some part numbers may have quantity restrictions or additional packaging options. Consult our website for dimensional drawings of parts. If you have questions on parts or availability, please contact Tenn-Tex Plastics before ordering.

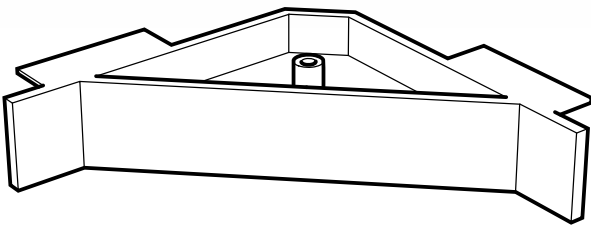
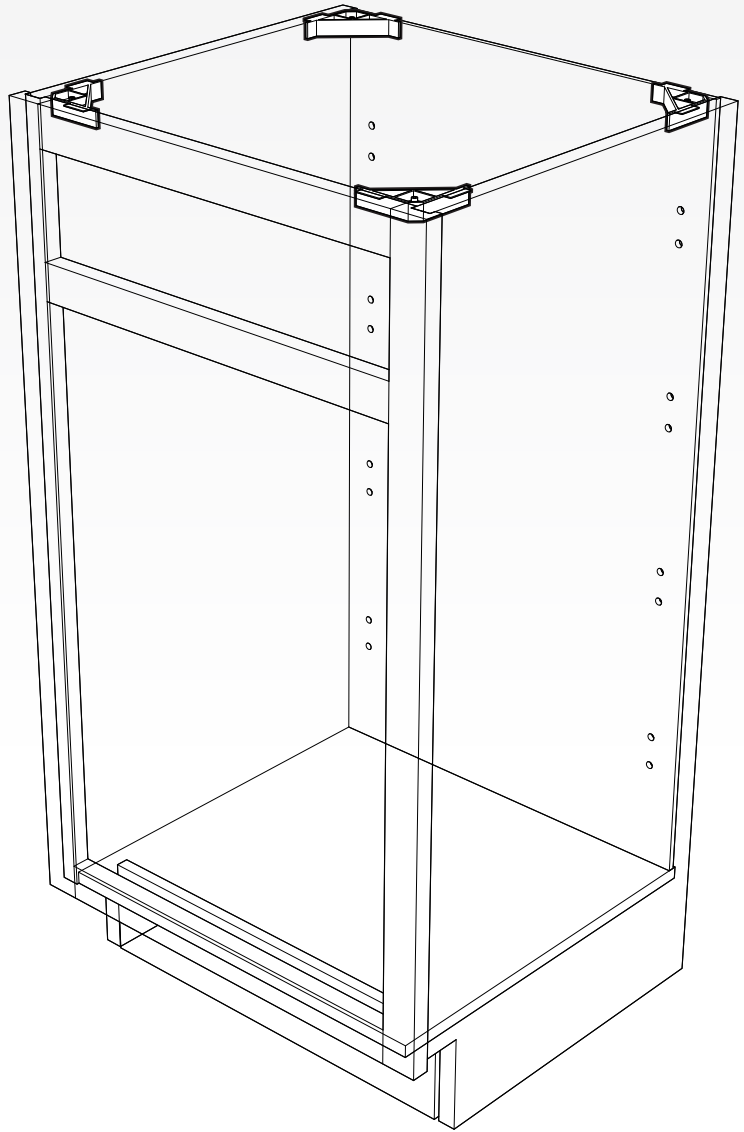


# CORNER BRACES

SIMPLIFY CABINET ASSEMBLY

The key to efficient line assembly is maintaining speed and consistent quality. Our corner braces can help keep your line moving and your reject rate low.

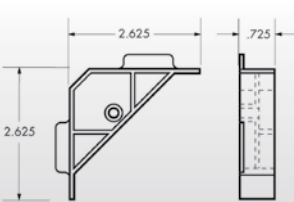
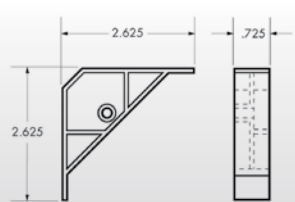
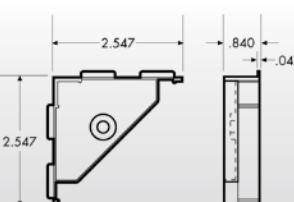
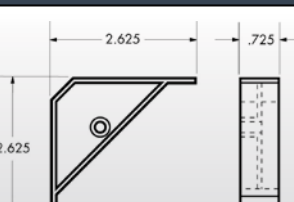
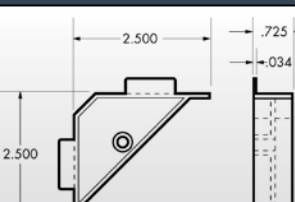
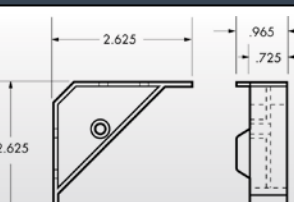
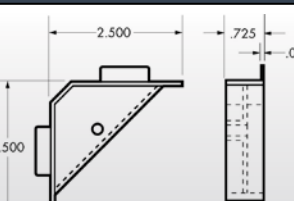
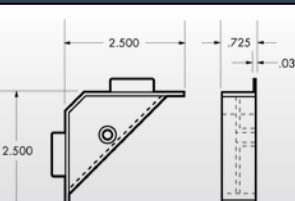
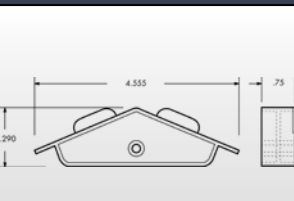
Corner Braces are offered in multiple Tab Styles. Our most popular style is with the Horizontal Tab. We also offer the Vertical tab for a larger staple area and a Corner Brace without Tabs. The Corner Braces without tabs can be used on Toe-Kick Applications that will help provide extra support for this area of your cabinet.

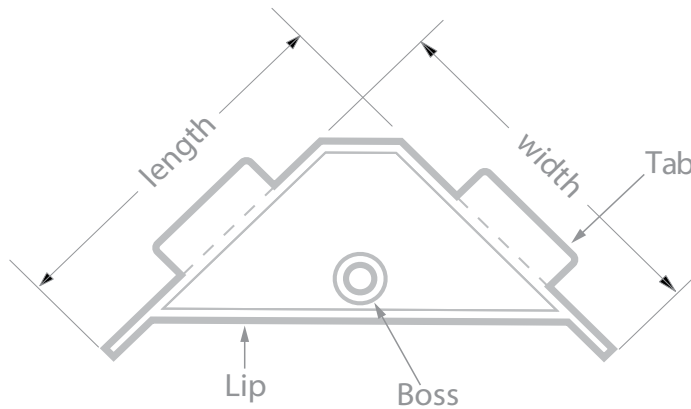


All materials ©2024 TennTex Plastics • We recommend test fitting to ensure proper function • Products in this brochure are Patented or Patent Pending.



**CORNER BRACES**

<p><b>T-361</b> 2.625" x 2.625" Corner Brace w/ Boss and Tabs, No Lip</p>  <p>Box wt 20 lbs Box qty 1,200 Pallet 21,600</p> <p>Colors: Natural T-361</p>	<p><b>T-362</b> 2.625" x 2.625" Corner Brace w/ Boss and Tabs, No Lip</p>  <p>Box wt 24 lbs Box qty 1,400 Pallet 25,200</p> <p>Colors: Natural T-362</p>	<p><b>T-400</b> 2.50" x 2.50" Corner Brace w/ Horiz. Tabs, No Boss, No Lip</p>  <p>Box wt 25 lbs Box qty 1,000 Pallet 18,000</p> <p>Colors: Natural T-400 Beige T-400-01 will hold a 1/2" shelf</p>
<p><b>T-410</b> 2.625" x 2.625" Corner Brace w/ Boss and Lip, No Tabs</p>  <p>Box wt 23 lbs Box qty 1,000 Pallet 18,000</p> <p>Colors: Natural T-410 Beige T-410-02</p>	<p><b>T-411</b> 2.50" x 2.50" Corner Brace w/ Boss, Lip, and Horiz. Tabs</p>  <p>Box wt 24 lbs Box qty 1,000 Pallet 18,000</p> <p>Colors: Natural T-411 Vanilla T-411-01 Beige T-411-02 White T-411-03</p>	<p><b>T-412</b> 2.625" x 2.625" Corner Brace w/ Boss, Lip, and Vert. Tabs</p>  <p>Box wt 24 lbs Box qty 1,000 Pallet 18,000</p> <p>Colors: Natural T-412 Vanilla T-412-01 Beige T-412-02</p>
<p><b>T-413</b> 2.50" x 2.50" Corner Brace w/ Horiz. Tabs, No Boss or Lips</p>  <p>Box wt 20 lbs Box qty 1,000 Pallet 18,000</p> <p>Colors: Natural T-413</p>	<p><b>T-414-02</b> 2.50" x 2.50" Corner Brace w/ Horiz. Tabs and Boss, No Lips</p>  <p>Box wt 20 lbs Box qty 1,000 Pallet 18,000</p> <p>Colors: Beige T-414-02</p>	<p><b>T-415</b> 2.50" x 2.50" Corner Brace 135 Degree w/ Horiz. Tabs</p>  <p>Box wt 30 lbs Box qty 1,000 Pallet 18,000</p> <p>Colors: Natural T-415</p>



Trial applications are highly recommended. Some part numbers may have quantity restrictions or additional packaging options. Consult our website for dimensional drawings of parts. If you have questions on parts or availability, please contact Tenn-Tex Plastics before ordering.

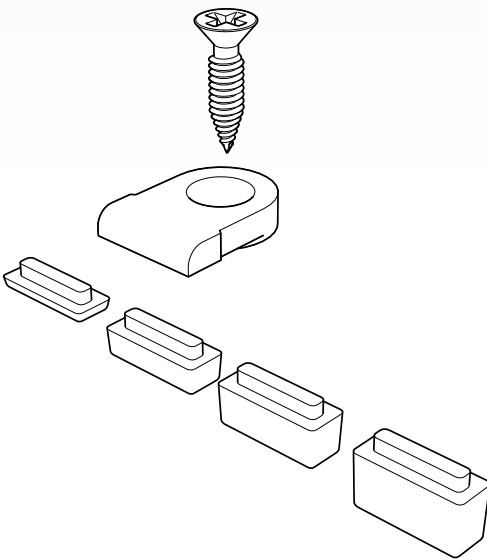


# GLASS DOOR RETAINERS

VARIETY OF PARTS TO FIT YOUR SPECIFICATIONS

Kitchen Designers of today are finding new ways to feature Glass Door Applications in upper cabinets which include Etched, Stained or Smoked Glass. Recently, Communication Centers with Cork Boards or Slate Panels have been added.

Tenn-Tex Plastics has developed a Glass Door Retainer Clip Instruction Sheet that will help you easily select the correct Retainer Clip for your application. Our Glass Door Retainer Clips are also used for a Stop for Inset Cabinet Doors. For your next Glass Door Application, please call Tenn-Tex Plastics for The Simple Solution for your Glass Door Application.



All materials ©2024 TennTex Plastics • We recommend test fitting to ensure proper function • Products in this brochure are Patented or Patent Pending.

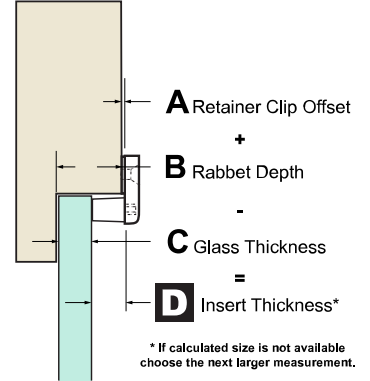


## RETAINER CLIP & INSERT COMBINATIONS

### Rabbit Depth

Glass Thickness	Rabbit Depth					
	0	1/16"	1/8"	1/4"	3/8"	1/2"
0.09375	T-243-01* & T-202-01	T-241-01 & T-201-01	T-230-01 & T-200-01	T-230-01 & T-209-01	T-230-01 & T-240-01	T-230-01 & T-208-01
0.125	T-243-01* & T-201-01	T-243-01* & T-209-01	T-241-01 & T-202-01	T-230-01 & T-202-01	T-230-01 & T-234-01	T-230-01 & T-208-01
0.1875	T-242-01* & T-206-01	T-243-01* & T-201-01	T-243-01* & T-209-01	T-230-01 & T-201-01	T-230-01 & T-206-01	T-230-01 & T-240-01
0.25	T-242-01* & T-209-01	T-242-01* & T-206-01	T-243-01* & T-201-01	T-241-01 & T-202-01	T-230-01 & T-200-01	T-230-01 & T-234-01

## RETAINER CLIP & INSERT CALCULATION



## GLASS DOOR RETAINER CLIPS

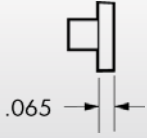

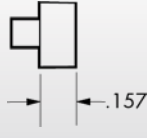
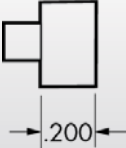
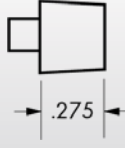
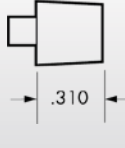
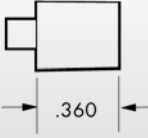
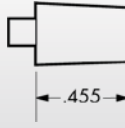
<b>T-230-01</b>  Retainer Clip .030 Offset Box wt 4 lbs Box qty 1,000 Colors: Clear T-230-01	<b>T-241-01</b>  Retainer Clip .110 Offset Box wt 5 lbs Box qty 1,000 Colors: Clear T-241-01	<b>T-242-01*</b>  Retainer Clip .425 Offset Box wt 6 lbs Box qty 1000 Colors: Clear T-242-01 Non-inventory item Special Order Only
<b>T-229-01</b>  Full Overlay Retainer Clip .030 Offset Box wt 6 lbs Box qty 1,000 Colors: Clear T-229-01		<b>T-243-01*</b>  Retainer Clip .220 Offset Box wt 3 lbs Box qty 1000 Colors: Clear T-243-01 Non-inventory item Special Order Only

## HARDWARE

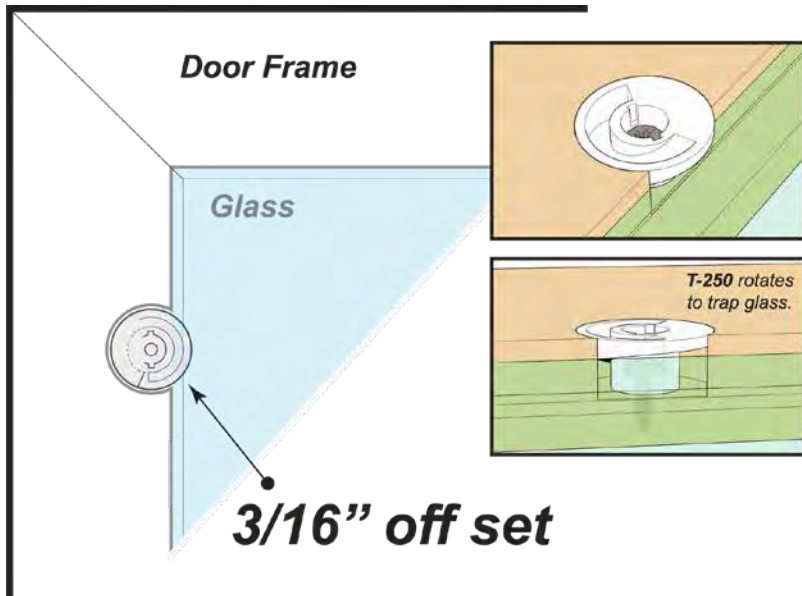
<b>HAR-043</b>  #6 x 1/2 Flat Head Zinc Type A Screw Box wt 4 lbs Box qty 1,000 Colors: Clear T-230-01	<b>HAR-069</b>  #6 x 1/2 Square Drive Type A Screw Box wt 5 lbs Box qty 1,000 Colors: Clear T-241-01
---	---

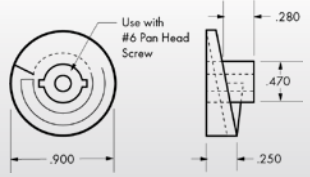
Trial applications are highly recommended. Some part numbers may have quantity restrictions or additional packaging options. Consult our website for dimensional drawings of parts. If you have questions on parts or availability, please contact Tenn-Tex Plastics before ordering.

**GLASS DOOR RETAINER INSERTS**

<p><b>T-200-01</b> Retainer Insert .065</p>  <p>Box wt 3 lbs Box qty 1,000</p> <p>Colors: Clear T-200-01</p>	<p><b>T-201-01</b> Retainer Insert .095</p>  <p>Box wt 3 lbs Box qty 1,000</p> <p>Colors: Clear T-201-01</p>	<p><b>T-202-01</b> Retainer Insert .157</p>  <p>Box wt 3 lbs Box qty 1,000</p> <p>Colors: Clear T-202-01</p>
<p><b>T-209-01</b> Retainer Insert .200</p>  <p>Box wt 3 lbs Box qty 1,000</p> <p>Colors: Clear T-209-01</p>	<p><b>T-206-01</b> Retainer Insert .275</p>  <p>Box wt 3 lbs Box qty 1,000</p> <p>Colors: Clear T-206-01</p>	<p><b>T-234-01</b> Retainer Insert .310</p>  <p>Box wt 3 lbs Box qty 1,000</p> <p>Colors: Clear T-234-01</p>
<p><b>T-240-01</b> Retainer Insert .360</p>  <p>Box wt 3 lbs Box qty 1,000</p> <p>Colors: Clear T-240-01</p>	<p><b>T-208-01</b> Retainer Insert .455</p>  <p>Box wt 5 lbs Box qty 1,000</p> <p>Colors: Clear T-208-01</p>	

**VARIABLE ADJUSTABLE RETAINER CLIP**



<p><b>T-250</b> Universal Glass Door Clip</p>  <p>Use with #6 Pan Head Screw</p> <p>Box wt 7 lbs Box qty 1,000</p> <p>Colors: Clear T-250</p>
--

Trial applications are highly recommended. Some part numbers may have quantity restrictions or additional packaging options. Consult our website for dimensional drawings of parts. If you have questions on parts or availability, please contact Tenn-Tex Plastics before ordering.





# CUSTOM ENGINEERING

MAKE THE PERFECT PART

We've built our legacy in the kitchen cabinet industry, and now, we're poised to redefine success across diverse sectors. With a commitment to innovation, precision, and cost-effectiveness, we're your trusted partner in crafting custom injection molded plastics parts that drive industries forward. Join us on this journey and discover how we can help you achieve more than you ever imagined.

No matter the sector you operate in, our injection molded plastics redefine the way you create, simplifying your manufacturing processes while delivering top-tier quality. Let us turn your ideas into reality, making innovation and savings the cornerstones of your success.



## RAPID PROTOTYPING

With the help of our Rapid prototyping machine using the latest Breakaway Support Technology, we can provide you with accurate and strong proto-types within days. Using a proven ABS material, such proto-types can be used to make prudent, final decisions by Engineering, Marketing and Sales.



## ENGINEERING

Let Tenn-Tex help you take your idea to the next level. Our Engineers will work with your concept art to develop CAD drawings and then build 3D models allowing a true visual of your design.



## TESTING

We cycle test all of our brackets to meet or exceed BHMA/KCMA standards, or to the slide manufacturers requirements. Our testing equipment and methods can help to establish and exceed your performance goals.

We simplify the manufacturing process, ensuring your furniture creations come to life seamlessly with longevity and functionality that endures. Let us transform your furniture line into a masterpiece of innovation and savings.

Partner with us and unlock a new era of customized excellence that leaves a mark on every industry we touch. Our expertise in crafting bespoke custom parts transcends industries, bringing you a tailored approach to cost savings and manufacturing efficiency.





# KITTING AND BAGGING

THE RIGHT PARTS AT YOUR FINGERTIPS

Sometimes you need to provide your customer with the appropriate hardware to set up their cabinets their way, or you need to provide installers with everything they need without having to look through a bunch of different part boxes. A well-planned out kit or bag can save you time and money, and save your customers headaches and aggravation.

Whatever your needs may be, our automated poly-bagging equipment can handle a variety of combinations of plastic molded parts and/or hardware items such as screws, bolts or other fasteners. We can mix and match any of our products in many packaging combinations.



**Our new kitting machine makes bagging and kitting a much more automated process, increasing efficiency and productivity.**

We can combine plastic parts, hardware, paper instructions or scannable QR codes labels printed directly on the bag. We can provide private labels for the kits so you can distribute them under your own brand.

Contact us for a quote for your kitting project today!





## Get in Touch.



[sales@tenntex.com](mailto:sales@tenntex.com)



[tenntex.com](http://tenntex.com)



800-Tenn-TeX

Trial applications are highly recommended. Some part numbers may have quantity restrictions or additional packaging options. Consult our website for dimensional drawings of parts. If you have questions on parts or availability, please contact Tenn-TeX Plastics before ordering.



Scan here  
for more  
information!



# TENN-TEX PLASTICS INC.

MADE IN THE USA

8011 NATIONAL SERVICE RD.,  
COLFAX, NC 27235-9762

SALES@TENNTEX.COM | TENNTEX.COM | 800-TENN-TEX